



**CAA**

**GEAR UP**

**2016**







## INDEX

<b>01</b>	<b>NEW PRODUCTS</b>		<b>p.06 - 08</b>
<b>02</b>	<b>RONI</b>	The pistol carbine conversion	<b>p.09 - 17</b>
<b>03</b>	<b>PICATINNY RAILS &amp; RAIL SYSTEMS</b>	Dragunov; AK47/74/100, AKSU, VZ58, SAIGA12g', MIG22, Galil, MP5, G3, AR15/M4, Moss'500, Rem'870	<b>p.18 - 32</b>
<b>04</b>	<b>M4/AR15 PARTS</b>	Upper and lower receivers, buffer and spring, charging handles	<b>p.33 - 35</b>
<b>05</b>	<b>STOCKS, TUBES &amp; CHEEK RESTS</b>	Dragunov; AK47/74/100, AKSU, VZ58, Galil, G3, AR15/M4, Moss'500, Rem'870	<b>p.36 - 49</b>
<b>06</b>	<b>MAGAZINES &amp; COUPLERS</b>	AK47/74/100, SAIGA12g', MIG22, MP5, AR15/M4	<b>p.50 - 57</b>
<b>07</b>	<b>FOREARM &amp; PISTOL GRIPS</b>	Various options for various rifles	<b>p.58 - 65</b>
<b>08</b>	<b>FLASHLIGHTS &amp; MOUNTS</b>	Tactical flashlights and Picatinny mounts	<b>p.66 - 69</b>
<b>09</b>	<b>HOLSTERS</b>	Holsters, magazine pouches, thigh platform	<b>p.70 - 75</b>
<b>10</b>	<b>BI-PODS &amp; MISCELLANEOUS</b>	Slings, safety rods, shooting glasses, rail covers, bi-pods and marketing	<b>p.76 - 82</b>
<b>12</b>	<b>AK ALFA</b>	AK "engine" in a revolutionary "body"	<b>p.83 - 84</b>
<b>13</b>	<b>SIGHTS</b>	Red-dot and back-up sights	<b>p.85 - 88</b>
<b>14</b>	<b>RECOMMENDED KITS</b>	AK47/74/100, VZ58, AR15/M4, RONI	<b>p.89 - 94</b>



## COMPANY PROFILE

At CAA our mission is clear: To be a world class producer of rock-solid, operation-tested firearm accessories manufacturer, and to strengthen our partnership with you, our customers, through unmatched service.

With a great appreciation to our worldwide clients and users, 2015 was a great year for CAA, but expect 2016 will be even better. Please see our "new products" section (page 6, 7, 8) to see why;

We are professional shooters, members of the IDF elite reserved forces, counter terrorism, reconnaissance and commando units. Our diverse team consists of some of the most knowledgeable firearms trainers in the world, with weapon know-how second to none. Our team continues developing and producing advanced battle-tested firearm accessories to withstand the rigors of real life combat conditions, and to give our users a tactical and survival advantage.

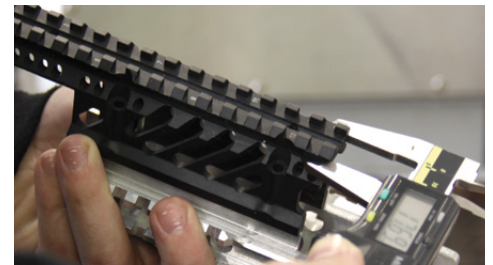
We have just received our weapon manufacturing license from the Israeli Government, we will be coming out with our new AK-ALFA 7.62x39 (patent pending) rifle, our sister electro-optic company, HARTMAN, just came out with the MH1 (patent pending) - a ground breaking new reflex sight.

2016 will be AMAZING year with some "Game Changers" for the weapon industry.

On behalf of my team we thank you for your loyalty and continued faith in CAA, and look very much forward to serving you in the future.

  
**LTC (Ret) Mikey Hartman**  
**C.E.O CAA Global**

**Founder and former 20 years commander of the IDF sharpshooting and marksmanship school.**



NEW



**#MH1**  
Hartman Reflex Sight

PAGE 86

NEW

MICRO **RONI**  
PISTOL-CARBINE CONVERSION



**#MIC-RONI- STAB / #RONI- STAB**  
RONI Stabilizer

Extremely compact, lightweight and sturdy platforms, equipped with a stabilizing brace for your various Glock pistols.

PAGES 13 ,12

COMING SOON



**#MIC-RONI**  
Micro RONI

The newest addition to our pistol to carbine conversion kits line. An extremely compact, lightweight and sturdy platform for your various Glock pistols.

PAGE 13

**NEW**



**DRAGUNOV**  
**Full Upgrade Kit**  
 Rails, stock, tube, pistol grip

PAGES 43 ,19

**COMING SOON**



**AK ALFA**  
**7.62X39 & 5.56X45 Rifle and Upgrade**  
 A modular modern-day rifle with an AK "engine"

PAGE 84

**COMING SOON**



**SAIGA 12g'**  
**12 Gauge 10/5 rounds Magazine**  
 A durable and reliable magazine for your SAIGA 12g' shotgun.

PAGE 52

**COMING SOON**



**AKMAG/MCD47N**  
**AK Magazine and Coupler**  
 New 7.62X39 polymer magazine and its coupler.

PAGE 52

NEW

**AK74/100****Picatinny Hand Guard Rails System**

A modular mounting system forearm, which provides both Picattiny and Keymod mounting solutions.

PAGE 20

NEW

**SAIGA 12g'****Picatinny Hand Guard Rails System**

Polymer handguard, provides a rigid lightweight platform to mount Picattiny accessories.

PAGE 23

NEW

**#AKF-SET****Replacement AK Furniture**

Great replacements for your original AK furniture. Lightweight and sturdy polymer construction.

PAGES 23, 42, 65

02—

RONI

PISTOL

CARBINE

CONVERSION

R

R

N

N



CAA

## BEST SELLER



MILL STANDARD | WARRANTY (10 YEAR) | NO GUNSMITH REQUIRED

Made Of: Poly+Alum  
Weight (gr): 140

Length Open Max (cm): 57  
Length Closed Max (cm): 47

Width Max (cm): 6.5  
Height Max (cm): 14

Colors:

**RONI****Pistol Carbine Conversion**

The #RONI (patent) provides you a better grip, stability and platform to many accessories. Now you can use your pistol for a greater range, faster aiming, better accuracy.

- No pistol disassembly required - just "drop" it into the shell.
- Upper flattop rail - allows combinations of sight, magnifier and/or night vision.
- Three Picatinny rails for additional accessories.
- Accepts suppressor - up to 35.5mm diameter.
- Including detachable folding forearm grip, rear magazine holder and safety-catch for the trigger's guard.
- For some models, it is mandatory that the pistol has the integrated below rail.
- Data can be slightly different between models.
- Not all RONI models fittis compensated models (C).





**RONI**  
For Glock

PART #: \*\*RONI-G2-9 17, 18, 19, 22, 23, 25, 31, 32  
 PART #: \*\*RONI-G2-10 20, 21  
 PART #: \*\*RONI-G2-26 26, 27  
 PART #: \*\*RONI-G2-34 34, 35

\*Fits C models  
 \*\*Fits Glock generation 3+4  
 \*\*\*Fits Glock generation 3



**RONI**  
For CZ

PART #: RONI-CZ7 DUTY 07  
 PART #: RONI-CZ9 P-07/P-09



**RONI**  
For Beretta

PART #: RONI-BI92, Italian Made - FS92, M9  
 PART #: RONI-BA92, USA Made - FS92, M9  
 PART #: RONI-BPX4, PX 4 Storm 9mm



**RONI**  
For H&K

PART #: RONI-HK1 USP9 9mm, 40

Requires pistol's integrated bottom rail



**RONI**  
For Sig Sauer

PART #: RONI-SI1 226 9mm, .40  
 PART #: RONI-SI2 2022 9mm, .40

Requires pistol's integrated bottom rail



**RONI**  
For Springfield XD

PART #: RONI-SP1 4" Barrel 9mm, 40



**RONI**  
For Armscore / Rock Island Armory

PART #: RONI-TCM22 TCM22 M1911 A2 FS



**RONI**  
For Jericho

PART #: RONI-JR1 Poltmer PL, PSL



**RONI**  
For Bersa Thunder

PART #: RONI-BS1 9mm, .40 (3")  
 PART #: RONI-BS2 Thunder 9mm, .40 (4")



**RONI**  
For Bul Cherokee

PART #: RONI-BUL1 9mm  
 Standard & Compact

NEW



MILL STANDARD | WARRANTY-10 YEARS | NO GUNSMITH REQUIRED

Made Of: Alum+Poly  
Width Max (cm): 6.5

Height Max (cm): 16  
Weight (gr): 1400

Length Open Max (cm): 56

Colors:

### #RONI- STAB RONI Stabilizer

Designed mainly for the US market. A lightweight and sturdy platform for your various pistols.

- Equipped with a stabilizing brace, instead of the original stock.
- Brace is firmly fastened on user's forearm with an adjustable nylon strap.
- Provides stability and enhances performance during single-handed shooting.
- No pistol disassembly required – Just drop it into the kit and lock within seconds.
- A long upper Picatiny rail – allows combining two sighting devices.
- Three extra Picatiny rails for mounting additional accessories.
- Ambidextrous, easy and fast cocking handle.
- Ambidextrous trigger-guard safety.



BEST SELLER

MILL STANDARD | WARRANTY-10 YEARS | NO GUNSMITH REQUIRED

Part #: RONI-SBS  
Made Of: Alum+Poly

Height Max (cm): 14  
Weight (gr): 1470

Length Open Max (cm): 69  
Length Closed Max (cm): 62

Width Max (cm): 6.5  
Colors:

Part #: RONI-CBS  
Made Of: Alum+Poly

Height Max (cm): 14  
Weight (gr): 1685

Length Open Max (cm): 69  
Length Closed Max (cm): 62

Width Max (cm): 6.5  
Colors:

### RONI M4 STOCK

- Includes either our #SBS or #CBS stock (page 29, 30).
- 6 positions – Fits every AR Style commercial spec. stock.
- Ideal for tall users and AR/M4 enthusiasts.
- Subject to minimum quantity, every RONI can be ordered in this configuration.



MILL STANDARD | WARRANTY-10 YEARS | NO GUNSMITH REQUIRED

Part #: RONI-C-G2  
Made Of: Alum+Poly

Height Max (cm): 14  
Weight (gr): 1610

Length Open Max (cm): 77  
Length Closed Max (cm): 69

Width Max (cm): 6.5  
Colors:

### THE LONGER VIRSION

- The same RONI but with a longer muzzle.
- Ideal for those looking for a deterring and aggressive look.
- Fits only Glock gen' 3+4, including the compensated models (17, 18, 19, 22, 23, 25, 31, 32).

COMING SOON



MILL. STANDARD | WARRANTY (10 YEAR) | NO GUNSMITH REQUIRED

Made Of: Poly+Alum  
Weight (gr): 710

Length Open Stock (cm): 56.7  
Length Folded Stock (cm): 34.8

Width Max (cm): 6.3  
Height Max (cm): 15.5

Colors:

**#MIC-RONI****Micro RONI**

The newest compact addition to our pistol to carbine conversion kits line. Lightweight and sturdy platform for your various Glock pistols.

- No pistol disassembly required – Just drop it into the kit and lock within seconds.
- A long Picatinny rail – Allows combining two devices (i.e. Red-dot, magnifier or NVG).
- Two extra right and left Picatinny rails for mounting additional accessories.
- Ambidextrous, easy and fast cocking handle.
- Optional: Full-Auto ambidextrous cocking handle.
- Ambidextrous trigger-guard safety.
- A right-folding stock for easy concealment and carry, yet the pistol can be operated (grip, cock and shoot).
- Right and left serrated thumb-rests for better control on recoil and muzzle-rise.
- Front extra magazine carrier for fast reload.
- Front integral tactical light (Optional).
- Fits only Glock gen' 3+4, including compensated models (17, 18, 19, 22, 23, 25, 31, 32).

COMING SOON



MILL. STANDARD | WARRANTY (10 YEAR) | NO GUNSMITH REQUIRED

Made Of: Poly+Alum  
Weight (gr): 720

Length Open Brace (cm): 47.6  
Length Folded Brace (cm): 34.8

Width Max (cm): 6.3  
Height Max (cm): 14.5

Colors:

**#MIC-RONI-STAB****Micro Stabilizer RONI**

Designed mainly for the US market.

An extremely compact, lightweight and sturdy platform for various Glock pistols.

- Equipped with a right-folding stabilizing brace, instead of the original folding stock.
- Brace is firmly fastened on user's forearm with an adjustable nylon strap.
- Provides stability and enhances performance during single-handed shooting.
- No pistol disassembly required – Just drop it into the kit and lock within seconds.
- A long Picatinny rail – Allows combining two devices (i.e. red-dot, magnifier or NVG).
- Two extra right and left Picatinny rails for mounting additional accessories.
- Ambidextrous, easy and fast cocking handle.
- Ambidextrous trigger-guard safety.
- Right and left serrated thumb-rests for better control on recoil and muzzle-rise.
- Front integral tactical light (Optional).
- A right-folding stock for easy concealment and carry, yet the pistol can be operated (grip, cock and shoot).
- Fits only Glock gen' 3+4, including compensated models (17, 18, 19, 22, 23, 25, 31, 32).

**FLIP UP SIGHTS**

Page 88

Can be use as primary or back-up sights.

- #FRS: Low profile rear flip-up sight.
- #FFS: Low profile front flip-up sight.

**REFLEX SIGHT**

Page 87

#MH1: Hartman reflex sight.  
Optional: wireless remote control.

**LIGHT MOUNT**

Page 68

Slim shape & low profile polymer picatinny light/laser mount.

- Diameter: 25.4) "1mm)
- #PLS1: screw tightened.
- #PLSQ: quick-release.

**FLASHLIGHT**

Page 67

#TC1: Viking Pro tactical flashlight.  
Water and shock resistant.

**TACTICAL SLINGS**

Page 78

#OPS: One point sling

**SLING SWIVEL**

Page 40

#PBSS: Push button heavy duty sling swivel.

**POLYMER SUITCASE**

Page 14

#ROCASE: - accepts various RONI models and/or other accessories.

\*Excluding the longer models

**QUICK DRAW BAG**

Page 79

#ROBAG: For fast action and concealed missions.

**BRASS CATCHER**

Page 14

#RBCF: Pivoting brass-catcher stands on a pivot hinge - allows activating jams.  
Bottom velcro for emptying the collector.

**DISPLAY KIT****ROMARKET Includes:**

1. RONI-G2
2. Blue-gun (GLock 19)
3. Flip up sights
4. Stand



→ BASIC KIT - #ROBAS

No	Item	Description	Page
01	RONI	Carbine Conversion	10
02	FFS	Front Flip-Up Sight	88
03	FRS	Rear Flip-Up Sight	88
04	PBSS	Sling Swivel	40
05	OPS	One Point Sling	78
10	ROCASE	Suitcase	14

→ ADVANCED KIT - #ROADV

No	Item	Description	Page
01	RONI	Carbine Conversion	10
02	FFS	Front Flip-Up Sight	88
03	FRS	Rear Flip-Up Sight	88
04	PBSS	Sling Swivel	40
05	OPS	One Point Sling	78
10	ROCASE	Suitcase	14
07	PLS1Q	Light & Laser Mount	68
08	TC1	Flashlight	67
06	RBCF	Brass Catcher	14

→ PRO KIT - #ROPRO

No	Item	Description	Page
01	RONI	Carbine Conversion	10
02	FFS	Front Flip-Up Sight	88
03	FRS	Rear Flip-Up Sight	88
04	PBSS	Sling Swivel	40
05	OPS	One Point Sling	78
06	ROCASE	Suitcase	14
07	PLS1Q	Light & Laser Mount	68
08	TC1	Flashlight	67
06	RBCF	Brass Catcher	14
09	MH1	Hartman Reflex Sight	87

**ACCURACY**

- RONI Pistol Carbine Conversion allows you to realize the accuracy inherent in the pistol. Targets can be engaged at 75 meters (85 yards) and beyond.
- The RONI shoulder stock design provides the stability to significantly improve accuracy and shooting distance. User accuracy is also increased because the sight line and rail height are above the barrel. The weight and design of the RONI significantly reduces recoil and eliminates muzzle jump contributing to increased accuracy.

**FISCALLY  
RESPONSIBLE  
ECONOMICAL**

- Designed for the Special Forces operator, The RONI has found favor with SWAT, Motorcycle, School Resource Officers and Security Details. Using the RONI, only one weapon ammunition and magazines. The operator carries less weight. In utilizing one weapon system, logistics are streamlined, saving time and money by not having to stock replacement parts, magazines, ammunition and gunsmithing for two weapons systems. Now, one weapon serves multiple applications. Because the RONI uses pistol caliber and not rifle caliber ammunition, there is much less chance of penetration thru walls causing collateral damage. The RONI converts your sidearm from a tertiary weapon into a primary weapon. The RONI is priced much less than a SMG. Training with one weapon system saves time and money and more importantly, allows the operator to develop the singular neuro-muscular coordination needed in high stress situations.

**TRANSFORMATION**

- A pistol can be installed in the RONI in 5 seconds. No pistol disassembly or gunsmithing is required.
- Repeatable zero is maintained when reinserting the pistol into the RONI.
- The RONI holds the pistol at three points, around the trigger guard, at the tang of the back strap, and at the under barrel rail mount.
- Slide operation is controlled by a cocking handle friction fitted to the slide serrations.
- RONI's large ambidextrous cocking handles makes charging the weapon easier for any size operator and allows quicker clearing of jams.
- Jams are cleared exactly the same way as when shooting the pistol by itself. All necessary parts are accessible.

**DESIGN FEATURES**

- Polymer body with a full length reinforced aluminum spine provides the strength, rigidity & durability needed while reducing carrying weight for the operator.
- Ergonomic design is comfortable and user friendly. Featuring an adjustable cheek rest,
- collapsible butt stock and folding grip.
- Ambidextrous design of the front and rear sling mounts, charging handle and side rails allow for comfortable use by both left and right handed operators.
- Muzzle shroud includes an integral glass breaker.

**BUTT STOCK FEATURES:**

- RONI's butt stock with 5 position length of pull adjustment provides a comfortable fit with or without body armor.
- RONI's adjustable cheek rest is removable, providing a perfect sight picture when using low profile sights.
- RONI's butt stock features a secure extra magazine mount positioned where it reduces reloading time, but doesn't interfere with shooting.
- RONI can be operated with the butt stock in the closed position.

**RAIL FEATURES**

- RONI's 9.25" one piece upper aluminum rail is long enough to accommodate a number of different sights, including a red dot + night vision or red dot + flip up sights.
- RONI's two 2.5" aluminum side rails allow the attachment of other devices including flashlights, lasers, etc.
- RONI's 2 1/8" lower polymer rail provides mounting for forward a grip.
- RONI's top and side rails are CNC manufactured from aviation grade aluminum providing a solid platform.

**SAFETY FEATURES**

- RONI includes a trigger guard to protect the trigger for pistols without a conventional safety device.
- RONI has a forward finger guard to protect the forefinger from the barrel shroud.

**VERSATILITY**

- The RONI can be used with the forward grip in a vertical or horizontal position.
- The RONI design allows the use of different model pistols from the same manufacturer in the same RONI body.
- RONI's design allows for accurate single handed shooting from either hand.
- RONI's unique design enables the user to "accurately point and shoot" because the barrel is significantly lower than the sight picture.
- RONI's totally balanced design eliminates weapon recoil, improving accuracy and reducing target reacquisition time.
- Increased accuracy reduces training time.

**OPTIONS**

- Three color options: Black, Green, Desert Tan.
- Optional hinged brass catcher with magnetic release provides easy access to the ejection port.
- Velcro bag closure quickly empties the spent cases.
- Optional secure magnetic vehicle mount allows for quick removal from the vehicle.
- RONI accepts sound suppressors up to 3.5cm diameter.

03—

PICATINNY  
RAILS &  
RAILS SYSTEM

INNNY

RAILS

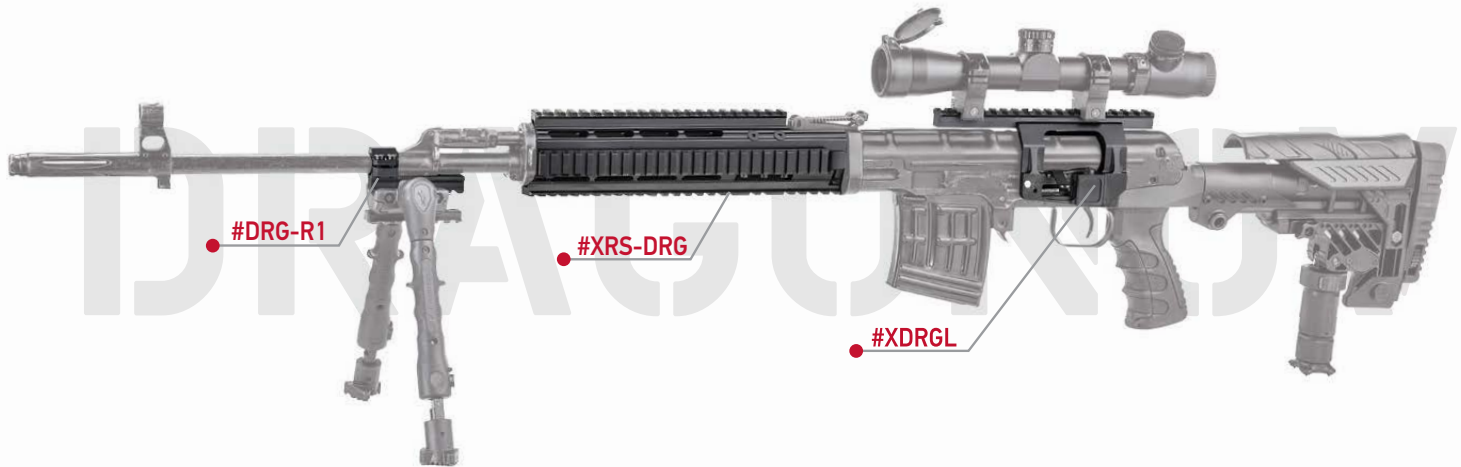
& RAILS

SYSTEM



CAA

NEW



NEW



**SVD / DRAGUNOV**

**Picatinny Aluminum Quad Rails**

Four (4) rail Picatinny handguard for the SVD / Dragunov sniper rifle. Provides a rigid lightweight accessory platform and excellent mounting positions.

- Easy to install.
- Designed and manufactured for a 100% secure fit.
- Provides a stable mounting platform for Picatinny accessories.
- Allows the use of the original iron sights.

MILL-STANDARD | WARRANTY-LIFETIME | NO GUNSMITH REQUIRED

Part #: XRS-DRG  
Eligibility: DRAGUNOV  
Made Of: Aluminum

Number Of Rails: 4  
Weight (gr): 650  
Height Max (cm): 7

Length Max (cm): 26.5  
Width Max (cm): 5.6

Colors: ■

NEW

**SVD / DRAGUNOV**

**Side clip top Picatinny rail**

Tight top mount Picatinny rail - ideal for all types of optics.

- Quick detach.
- Provides a stable mounting platform for scopes and sights.
- Allows assembly /disassembly on and from the rifle, and yet maintains perfect zero.



MILL STANDARD | WARRANTY-10 YEARS | NO GUNSMITH REQUIRED

Part #: DRG-R1  
Eligibility: DRAGUNOV  
Made Of: Aluminum

Number Of Rails: 1  
Weight (gr): 225  
Height Max (cm): 8

Length Max (cm): 19.5  
Width Max (cm): 5  
Colors: ■

NEW

**SVD / DRAGUNOV**

**Bottom Barrel Mounted Picatinny Rail**

Tight bottom Picatinny rail - ideal for bi-pods

- Easy to install.
- For maximum bi-pods horizontal movement.



MILL STANDARD | WARRANTY-10 YEARS | NO GUNSMITH REQUIRED

Part #: XDRGL  
Eligibility: DRAGUNOV  
Made Of: Aluminum

Number Of Rails: 1  
Weight (gr): 75  
Height Max (cm): 3.5

Length Max (cm): 7.5  
Width Max (cm): 3.5  
Colors: ■

NEW



MILL STANDARD	WARRANTY-10 YEARS	NO GUNSMITH REQUIRED
---------------	-------------------	----------------------

Part #: XRS74YG  
Eligibility: AK74M,  
AKS74, AK100s'

Number Of Rails: 4  
Made Of: Aluminum  
Weight (gr): 508

Width Max (cm): 6  
Length Max (cm): 56  
Height Max (cm): 9

Colors: ■

### AK47/74

#### Picatinny Hand Guard Rails System

The newest addition to our AK rifle accessory line. Designed especially for the AK74M and AK100's series of rifles. A modular mounting system forearm, which provides both Picatinny and Keymod mounting solutions.

- Simple, yet sturdy design.
- Firmly mounts onto the rifle. Maintains perfect zero under harshest conditions.
- Easily allows field-strip for cleaning and maintenance without being disassembled.
- Detachable bottom, right and left Picatinny rails. Allows Keymod mounting solutions if detached.
- A long, low profile upper rail – Allows heavy optics mounting. Will still maintain zero if disassembled from the rifle and assembled again.
- Easily allows left and right side stock fold and lock without any interruption.
- Lower handguard can be used separately.



BEST SELLER



MILL STANDARD | WARRANTY-10 YEARS | NO GUNSMITH REQUIRED

Part #: XRS47-SET	Made Of: Aluminum	Length Max (cm): 39	Colors: ■
Eligibility: AK47/74	Weight (gr): 420	Height Max (cm): 8.7	
Number Of Rails: 5	Width Max (cm): 5.1		

Part #: XRS47-BR	Made Of: Aluminum	Length Max (cm): 39	Colors: ■
Eligibility: AK47/74	Weight (gr): 306	Height Max (cm): 8.7	
Number Of Rails: 4	Width Max (cm): 5.1		

**AK47****Picatinny Hand Guard Rails System**

The world's first five rail system for the AK47/AK74. Five fixed rails, provide an exceptional design that allows numerous mission specific accessories, including bipods, vertical grips and large optics to be mounted.

- Securely mounts to weapon effectively maintaining zero under the demanding conditions.
- Allows disassembling/assembling the AK body, and yet maintaining perfect zero.
- Rear rail specifically designed for heavy optics.
- Three parts modular system; can be used individually or in conjunction with each other.
- Compatible with most AK style rifles.



MILL STANDARD | WARRANTY-10 YEARS | NO GUNSMITH REQUIRED

Part #: XAKM	Number Of Rails: 1	Length Max (cm): 19.5	Colors: ■
Eligibility: AK47/74	Weight (gr): 225	Width Max (cm): 5	
Made Of: Aluminum	Height Max (cm): 8		

**AK47****Side clip top Picatinny rail**

Tight top mount Picatinny rail. Ideal for all types of optics.

- Quick detach.
- Provides a stable mounting platform for scopes and sights.
- Allows assembly /disassembly on and from the rifle, yet maintains perfect zero.



MILL STANDARD | WARRANTY-10 YEARS | NO GUNSMITH REQUIRED

Part #: RS47-SET  
Eligibility: AK47/74  
Made Of: Polymer

Number Of Rails: 4  
Weight (gr): 220  
Height Max (cm): 8.5

Length Max (cm): 16.8  
Width Max (cm): 5.1

Colors: ■ ■ ■

#### AK47/74

##### Picatinny Hand Guard Rails System

Polymer two piece handguard, provides a rigid lightweight platform to mount Picatinny accessories.

- Two full length upper and lower Picatinny rails - excellent mounting positions for optics, bipods and grips.
- Two side rails are ideal for mounting light/laser devices.
- Available as a complete set (#RS47-SET) or separately.
- Constructed of high density polymer for strength and heat resistance.
- Compatible with most AK style rifles.



MILL STANDARD | WARRANTY-10 YEARS | NO GUNSMITH REQUIRED

Part #: XRSU47SU  
Eligibility: AKSU  
Made Of: Aluminum

Number Of Rails: 4  
Weight (gr): 490  
Height Max (cm): 8.5

Length Max (cm): 16.8  
Width Max (cm): 5.5

Colors: ■

#### AKSU

##### Picatinny Hand Guard Rails System

New & exclusive Picatinny rail system for the AKSU.

- A unique steel locking system, which allows easy removal of upper lid to clean the weapon, yet maintains zero.
- A long low profile upper rail for scopes and sights.
- Two side mounting rails for accessories.
- Lower rail for grips and mounts. Includes a unique bipod thread.

NEW



### AK HANDGUARD FURNITURE Hand Guard Rails System

A great replacement for the original AK handguard

- Similar design to the original AK handguard.
- Lightweight and sturdy polymer construction.
- Fits AKM and AK100's (stamped receivers).
- Lower handguard includes heat shield.
- Offered as a kit as well with our AK stock and pistol grip furnish (See pages 42, 65).

MILL STANDARD | WARRANTY-10 YEARS | NO GUNSMITH REQUIRED

Part #: AKF-HG  
Eligibility: AK47/74  
Made Of: Polymer

Weight (gr): 152  
Width Max (cm): 3.8

Length Max (cm): 17  
Height Max (cm): 7.8

Colors: ■

NEW



### SAIGA 12g' Picatinny Hand Guard Rails System

Polymer handguard, provides a rigid lightweight platform to mount Picatinny accessories.

- Bottom Picatinny rail - excellent mounting positions for bipods and grips.
- Two side rails are ideal for mounting light/laser devices.
- Constructed of high density polymer for strength and heat resistance.

MILL STANDARD | WARRANTY-10 YEARS | NO GUNSMITH REQUIRED

Part #: RS12  
Eligibility: SAIGA12g'  
Number Of Rails: 3

Made Of: Polymer  
Weight (gr): 264  
Width Max (cm): 5.6

Length Max (cm): 22.8  
Height Max (cm): 6.2

Colors: ■



MILL STANDARD | WARRANTY-10 YEARS | NO GUNSMITH REQUIRED

Part #: RS58SET  
Eligibility: VZ58  
Made Of: Polymer

Number Of Rails: 4  
Weight (gr): 200  
Height Max (cm): 7.5

Length Max (cm): 18  
Width Max (cm): 6.4

Colors: ■ ■ ■

#### SA58-VZ

##### 4 Picatinny Hand Guard Rails System

Polymer two piece handguard for the VZ58 (SA58). Provides a rigid lightweight Picatinny platform.

- Two full length upper and lower Picatinny rails. Excellent mounting positions for optics, bipods and grips.
- Two side rails are ideal for mounting light/laser devices.
- Constructed of high density polymer for strength and heat resistance.



MILL STANDARD | WARRANTY-10 YEARS | NO GUNSMITH REQUIRED

Part #: RS22  
Eligibility: Armacor / Rock Island Armory Mig 22

Made Of: Polymer  
Number Of Rails: 4  
Weight (gr): 480

Height Max (cm): 6.9  
Length Max (cm): 23.5  
Width Max (cm): 6.1

Colors: ■

#### ARMSCOR / ROCK ISLAND ARMORY MIG 22

##### 4 Picatinny Hand Guard Rails System

A designated ergonomic polymer hand guard rails system for the Armacor / Rock Island Armory MIG 22 Rifle.

- Constructed from high-density polymer.
- Two full length upper and lower Picatinny rails. Ideal for mounting optics, bipods and grips.
- Two additional short-length side Picatinny rails for mounting flashlights or additional accessories.



MILL-STANDARD | WARRANTY-10 YEARS | NO GUNSMITH REQUIRED

Part #: GRS-SET  
Eligibility: GALIL  
Made Of: Polymer

Number Of Rails: 4  
Weight (gr): 252  
Height Max (cm): 8.5

Length Max (cm): 15.5  
Width Max (cm): 6.7

Colors: ■

### GALIL

#### 4 Picatinny Hand Guard Rails System

Polymer two piece handguard for the Galil, provides a rigid lightweight platform to mount Picatinny accessories.

- Two full length upper and lower Picatinny rails - excellent mounting positions for optics, bipods and grips.
- Two side rails are ideal for mounting light/laser devices.
- Constructed of high density polymer for strength and heat resistance.



MILL-STANDARD | WARRANTY-LIFETIME | NO GUNSMITH REQUIRED

Part #: XG  
Eligibility: GALIL  
Made Of: Aluminum

Number Of Rails: 4  
Weight (gr): 400  
Height Max (cm): 8

Length Max (cm): 28  
Width Max (cm): 5.3

Colors: ■

### GALIL

#### 4 Picatinny Hand Guard Rails System

Four rail Picatinny handguard for the Galil Sniper. Provides a rigid lightweight accessory platform and excellent mounting positions.

- 28cm upper rail for heavy optics.
- Integrated upper and lower rails.
- Detachable side rails
- Allows disassembling/assembling the Galil body and yet maintaining perfect zero.
- Modular system; bottom part can be used individually.



MILL-STANDARD | WARRANTY-LIFETIME | NO GUNSMITH REQUIRED

Part #: XGS  
Eligibility: Galil Sniper  
Made Of: Aluminum

Number Of Rails: 4  
Weight (gr): 480  
Height Max (cm): 7.4

Length Max (cm): 36  
Width Max (cm): 5.5

Colors: ■

### GALIL SNIPER

#### 4 Picatinny Hand Guard Rails System

Four rail Picatinny handguard for the Galil Sniper. Provides a rigid lightweight accessory platform and excellent mounting positions.

- 4 sided Picatinny rail system.
- Excellent for optics, grips, pods, lights, lasers and other Picatinny mounts.
- Thermal rail covers Included.



MILL-STANDARD | WARRANTY-LIFETIME | NO GUNSMITH REQUIRED

Part #: HX3  
Eligibility: MP5  
Made Of: Aluminum

Number Of Rails: 3  
Weight (gr): 252  
Height Max (cm): 4.3

Length Max (cm): 14.1  
Width Max (cm): 252

Colors: ■

**MP5****3 Picatinny Hand Guard Rails System**

Replace the original handguard with our aluminum Picatinny handguard rail system.

- Designed and manufactured for a 100% secure fit.
- Provides a stable mounting platform for Picatinny accessories.
- Lower rail - ideal for forearm grips.
- Two side rails - ideal for lights, lasers and other mounts.
- To fit reflex sight, it is recommended to add one of our #TR5 upper rail family (page 27).



MILL-STANDARD | WARRANTY-LIFETIME | NO GUNSMITH REQUIRED

Part #: HX3SD  
Eligibility: MP5SD  
Made Of: Aluminum

Number Of Rails: 3  
Weight (gr): 300  
Height Max (cm): 6.5

Length Max (cm): 18  
Width Max (cm): 6.8

Colors: ■

**MP5-SD****3 Picatinny Hand Guard Rails System**

Now you can upgrade your MP5SD with a full Picatinny handguard system.

- Designed and manufactured for a 100% secure fit.
- Provides a stable mounting platform for Picatinny accessories.
- Lower rail - ideal for forearm grips.
- Two side rails - ideal for lights, lasers and other mounts.
- To fit reflex sight, it is recommended to add one of our #TR5 upper rail family (page 27).



MILL-STANDARD | WARRANTY-LIFETIME | NO GUNSMITH REQUIRED

Part #: HX3K  
Eligibility: MP5K  
Made Of: Aluminum

Number Of Rails: 3  
Weight (gr): 150  
Height Max (cm): 4.6

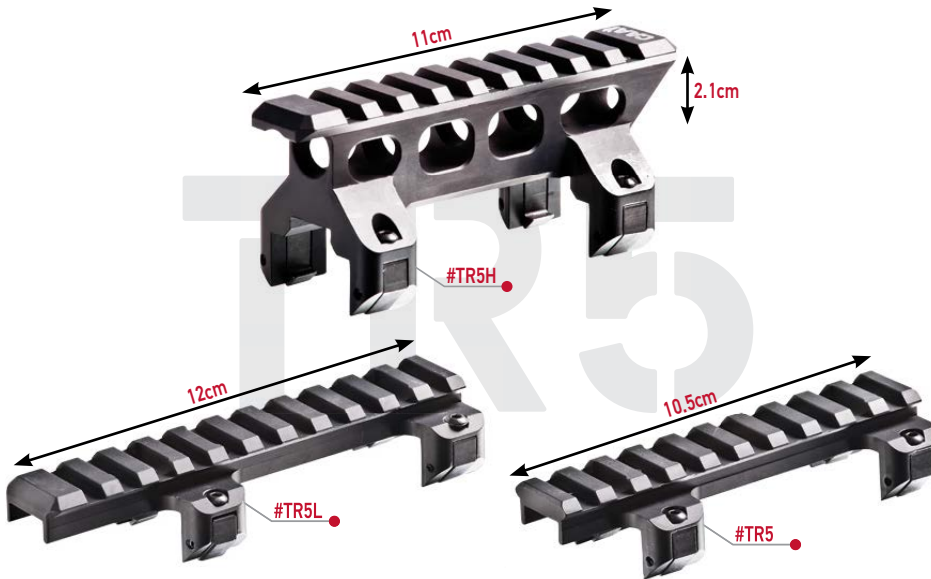
Length Max (cm): 8.6  
Width Max (cm): 5.2

Colors: ■

**MP5-K****3 Picatinny Hand Guard Rails System**

Now you can upgrade your MP5K with a full Picatinny handguard system.

- Designed and manufactured for a 100% secure fit.
- Provides a stable mounting platform for Picatinny accessories.
- Lower rail - ideal for forearm grips.
- Two side rails - ideal for lights, lasers and other mounts.
- To fit reflex sight, it is recommended to add one of our #TR5 upper rail family (page 27).



MILL-STANDARD | WARRANTY-LIFETIME | NO GUNSMITH REQUIRED

<b>Part #:</b> TR5H <b>Eligibility:</b> MP5, MP5SD, MP5K	<b>Number Of Rails:</b> 1 <b>Made Of:</b> Aluminum <b>Weight (gr):</b> 95	<b>Width Max (cm):</b> 3.8 <b>Length Max (cm):</b> 11 <b>Height Max (cm):</b> 4.3	<b>Colors:</b> ■
<b>Part #:</b> TR5L <b>Eligibility:</b> MP5, MP5SD, MP5K	<b>Number Of Rails:</b> 1 <b>Made Of:</b> Aluminum <b>Weight (gr):</b> 55	<b>Width Max (cm):</b> 4 <b>Length Max (cm):</b> 12 <b>Height Max (cm):</b> 2.3	<b>Colors:</b> ■
<b>Part #:</b> TR5L-G3 <b>Eligibility:</b> HK-G3 <b>Number Of Rails:</b> 1	<b>Made Of:</b> Aluminum <b>Weight (gr):</b> 55 <b>Width Max (cm):</b> 4	<b>Length Max (cm):</b> 12 <b>Height Max (cm):</b> 2.3	<b>Colors:</b> ■
<b>Part #:</b> TR5 <b>Eligibility:</b> MP5, MP5SD, MP5K	<b>Number Of Rails:</b> 1 <b>Made Of:</b> Aluminum <b>Weight (gr):</b> 50	<b>Width Max (cm):</b> 3.8 <b>Length Max (cm):</b> 11 <b>Height Max (cm):</b> 2.3	<b>Colors:</b> ■

**MP5/SD/K, G3**

**Top Picatinny Rail**

Tight top mount Picatinny rail - ideal for redpoint sights.

- Strongly secured to the top body part.
- Allows disassembling/assembling secured to the weapon, but yet maintain zero.
- Coordinates well with our #HX3 forehead rail systems family (page 26).



MILL-STANDARD | WARRANTY-LIFETIME | NO GUNSMITH REQUIRED

<b>Part #:</b> G3X3 <b>Eligibility:</b> H&K G3 <b>Made Of:</b> Aluminum	<b>Number Of Rails:</b> 3 <b>Weight (gr):</b> 504 <b>Height Max (cm):</b> 4.6	<b>Length Max (cm):</b> 29.5 <b>Width Max (cm):</b> 4.3	<b>Colors:</b> ■
---	---	--	------------------

**HK-G3**

**3 Picatinny Hand Guard Rails System**

Aluminum three rail handguard for the H&K G3. Designed & manufactured for a secure and stable fit.

- Three Picatinny rails surround the barrel for a secure & stable fit.
- Exceptional design, allows numerous accessories.
- Excellent for grips pods, lights, lasers and other mounts.
- To fit reflex sight, it is recommended to add #TR5L-G3 (page 27).


**BEST SELLER**


### AR15/M4

#### Picatinny Aluminum Quad Rail

Designed to exceed the newest requirements of the US Army for improving zero retention/repeatability.

- Upper three rail section mount underneath the end cap and secured in place with a friction fit ledge and roll pins.
- The receiver end secured with a barrel nut bracket that is attached to the upper three rail section with four captive flathead screws.
- The bottom rail is secure with friction fit ledge and with a retractable spring loaded piston.
- Four full length rails - top rail creates one long monolithic rail with the existing flat top rail.
- XM4S has two push button sling swivel mounting points at the front.
- XM4SD has four push button sling mounting points at the front and back.
- Slots around the rails provide maximum ventilation around the rails.
- CNC machined from aviation grade aluminum to MIL-1913 standards with a hard anodized black oxide finish for durability and ease of maintenance.
- Accepts grenade-launcher.

**MIL STANDARD | WARRANTY-10 YEARS | NO GUNSMITH REQUIRED**

<b>Part #:</b> X4MS <b>Eligibility:</b> M16/AR15/M4 <b>Number Of Rails:</b> 4	<b>Made Of:</b> Aluminum <b>Weight (gr):</b> 285 <b>Width Max (cm):</b> 5.5	<b>Length Max (cm):</b> 18.5 <b>Height Max (cm):</b> 6	<b>Colors:</b> ■
<b>Part #:</b> X4MSD <b>Eligibility:</b> M16/AR15/M4 <b>Number Of Rails:</b> 4	<b>Made Of:</b> Aluminum <b>Weight (gr):</b> 300 <b>Width Max (cm):</b> 5.5	<b>Length Max (cm):</b> 18.5 <b>Height Max (cm):</b> 6	<b>Colors:</b> ■



MILL STANDARD | WARRANTY-10 YEARS | NO GUNSMITH REQUIRED

Part #: M4S1  
Eligibility: AR15/M4  
Made Of: Polymer

Number Of Rails: 3  
Weight (gr): 170  
Height Max (cm): 7.2

Length Max (cm): 17.9  
Width Max (cm): 6.9

Colors: ■ ■ ■

**AR15/M4**

**3 Picatinny Hand Guard Rails System**

Ergonomic unique design polymer rail system, with detachable side and bottom rails.

- Provides a secure platform for Picatinny accessories.
- 5cm side rails / 11.5cm bottom rail.
- Optional to add an aluminum upper rail - attaches to the original flat-top rail.
- Includes sling swivel inserts for #PBSS (page 40).



MILL STANDARD | WARRANTY-10 YEARS | NO GUNSMITH REQUIRED

Part #: TRM3  
Eligibility: M16/AR15/M4  
Made Of: Polymer

Number Of Rails: 3  
Weight (gr): 66  
Height Max (cm): 3.5

Length Max (cm): 7.9  
Width Max (cm): 6.5

Colors: ■

**AR15/M4**

**3 Picatinny Rails For The Original Hand Guard**

Transfer your original handguards, to a full Picatinny System.

- Set of two 45 degree Picatinny rails and one removable center rail.
- Mounted to the upper or lower handguard.
- Excellent for mounting lasers, flashlights, vertical grips, pods and more.
- Fits both, standard and thickened heat shields.





MILL-STANDARD | WARRANTY-10 YEARS | NO GUNSMITH REQUIRED

Part #: FSM15P	Number Of Rails: 2	Length Max (cm): 7.2	Colors: ■
Eligibility: M16/AR15/M4	Weight (gr): 40	Width Max (cm): 3.4	
Made Of: Polymer	Height Max (cm): 2.1		

### AR15/M4

#### 2 Side By Side Picatinny Rails For Front Sight

Front sight mounted rail securely attaches to the front sights.

- Two rails for laser, light and other mounts.
- Available in aluminum (#FSM15X) or polymer (#FSM15P) versions.



MILL-STANDARD | WARRANTY-LIFETIME | NO GUNSMITH REQUIRED

Part #: TR16	Number Of Rails: 1	Length Max (cm): 13.5	Colors: ■
Eligibility: M16/AR15/M4	Weight (gr): 70	Width Max (cm): 2.1	
Made Of: Aluminum	Height Max (cm): 3		

### AR15/M4

#### Picatinny Rail For Carry Handle

An easy way to transform your carry handle to a Picatinny rail flat top style.

- A Picatinny rail mount for your carry handle.
- A thumb nut locking screw.
- Designed to accept scope rings and mounts.



MILL-STANDARD | WARRANTY-LIFETIME | NO GUNSMITH REQUIRED

Part #: FTRM	Number Of Rails: 1	Length Max (cm): 14.5	Colors: ■
Eligibility: M16/AR15/M4	Weight (gr): 180	Width Max (cm): 4.3	
Made Of: Aluminum	Height Max (cm): 3.3		

### AR15/M4

#### Flat Top Riser Mount

Aluminum mount attaches to flat top receiver and offers a 1" raised optics platform allowing sight mounting over the fixed front sight.

- Securely mounts with two thumbnuts and side plate, no tools required.
- Compatible with STANAG, Picatinny and Weaver rails.

Affordable Imports Products

# 03

## PICATINNY RAILS & RAILS SYSTEM

## REMINGTON 870, MOSSBERG 500



MILL STANDARD | WARRANTY-10 YEARS | NO GUNSMITH REQUIRED

Part #: RR870  
Eligibility: REM'870  
Made Of: Polymer

Number Of Rails: 3  
Weight (gr): 198  
Height Max (cm): 5.8

Length Max (cm): 20.4  
Width Max (cm): 6.6

Colors:

### REM'870

#### 3 Picatinny Hand Guard Rails System

Polymer one piece handguard for Remington 870. Provides a rigid lightweight Picatinny platform.

- Full length lower rail - ideal for mounting grips and other mounts.
- Two mini side rails - ideal for mounting light/laser devices.



MILL STANDARD | WARRANTY-10 YEARS | NO GUNSMITH REQUIRED

Part #: MR500  
Eligibility: MOSS'500  
Made Of: Polymer

Number Of Rails: 3  
Weight (gr): 174  
Height Max (cm): 5

Length Max (cm): 20  
Width Max (cm): 6.3

Colors:

### MOSS'500

#### 3 Picatinny Hand Guard Rails System

Polymer one piece handguard for Mossberg 500. Provides a rigid lightweight Picatinny platform.

- Full length lower rail - ideal for mounting grips and other mounts.
- Two mini side rails - ideal for mounting light/laser devices.





**SIG226/8/9**

**Bottom Picatinny Rail**

Now you can upgrade your AK with a collapsible stock.

- Easily clamps onto the trigger guard area.
- Providing a stable platform for mounting a light/laser.

Part #: SIG-A1  
 Eligibility: SIG226/8/9  
 Made Of: Polymer  
 Number Of Rails: 1

Weight (gr): 40  
 Width Max (cm): 2.6  
 Length Max (cm): 8.3  
 Height Max (cm): 4.2  
 Colors: ■

MILL-STANDARD | WARRANTY-LIFETIME | NO GUNSMITH REQUIRED



**GLOCK 17/19 GEN2**  
 Bottom Picatinny Rail

Part #: GL-A1  
 Eligibility: GLOCK 17/19  
 Made Of: Aluminum

Number Of Rails: 1  
 Weight (gr): 42  
 Width Max (cm): 2.1

Length Max (cm): 8.3  
 Height Max (cm): 3.2  
 Colors: ■



**BERETTA F92**  
 Bottom Picatinny Rail

Part #: BER-A1  
 Eligibility: Beretta F92  
 Made Of: Aluminum

Number Of Rails: 1  
 Weight (gr): 40  
 Width Max (cm): 2.3

Length Max (cm): 8.3  
 Height Max (cm): 4.4  
 Colors: ■



**COLT 1911**  
 Bottom Picatinny Rail

Part #: COLT-A1  
 Eligibility: Colt 1911  
 Made Of: Aluminum

Number Of Rails: 1  
 Weight (gr): 38  
 Width Max (cm): 2.3

Length Max (cm): 8.3  
 Height Max (cm): 3.9  
 Colors: ■



**FN**  
 Bottom Picatinny Rail

Part #: FN-A1  
 Eligibility: FN High Power  
 Made Of: Aluminum

Number Of Rails: 1  
 Weight (gr): 40  
 Width Max (cm): 2.3

Length Max (cm): 8.3  
 Height Max (cm): 4.4  
 Colors: ■

04—  
M4/AR15  
PARTS

M4

AR

PARTS



CAA

**#EM ULRA****M4/AR15 Upper & Lower Receiver Assembly – Auto or Semi-Auto**

Includes: Forward assist ass, ejection port cover, trigger ass, bolt catch, safety catch, charging handle-double action, pistol grip-G16

- CNC machined from 7075t6 aircraft aluminum, finished in hard black anodize.
- Features an integral picatinny rail.

Part #: EM-ULRA-S (Semi-Auto)  
Part #: EM-ULRA-A (Auto)

Made Of: Steel  
Weight (gr): 960

Colors: ■

**#EM UR****Stripped Flat Top Upper Receiver**

Includes: Forward assist ass and ejection port cover.

- Upper partially assembled with an ejection port cover and forward assist assembly.
- CNC machined from 7075t6 aircraft aluminum, finished in hard black anodize.
- Features an integral picatinny rail.

Part #: EM-URS (Semi-Auto)  
Part #: EM-URA (Auto)

Made Of: Aluminum  
Weight (gr): 235

Colors: ■

**#EM-BAST****Buffer Assembly + Action Spring + Tube**

Commercial spc' tube for M4/AR15.

- Securely fits to the M4/AR15.
- Fits the original or the #TLRP lock ring and plate.

Part #: EM-BAST

Made Of: Aluminum  
Weight (gr): 235

Colors: ■

**#EM BCA****Bolt Carrier Assembly**

Fully Assembled .5.56/223mm Set

- EM-BCA-A - Bolt Carrier assembly - Automat.
- EM-BCA-S - Bolt Carrier assembly - Semi.

Part #: EM-BCA-S (Semi-Auto)  
Part #: EM-BCA-A (Auto)

Made Of: Steel  
Weight (gr): 325

Colors: ■

**#EM GBFS****Gas Block With Folding Front Sight**

Replacing the original gas block and front sight with a folding one.

- Easily deployed.
- Ambidextrous (left/right handed users).
- Easily assembled.
- Useful for all M4/AR15 versions.

Part #: EM-GBFS  
Made Of: Steel

Weight (gr): 165

Colors: ■

**#EM-CH****Charging Handle**

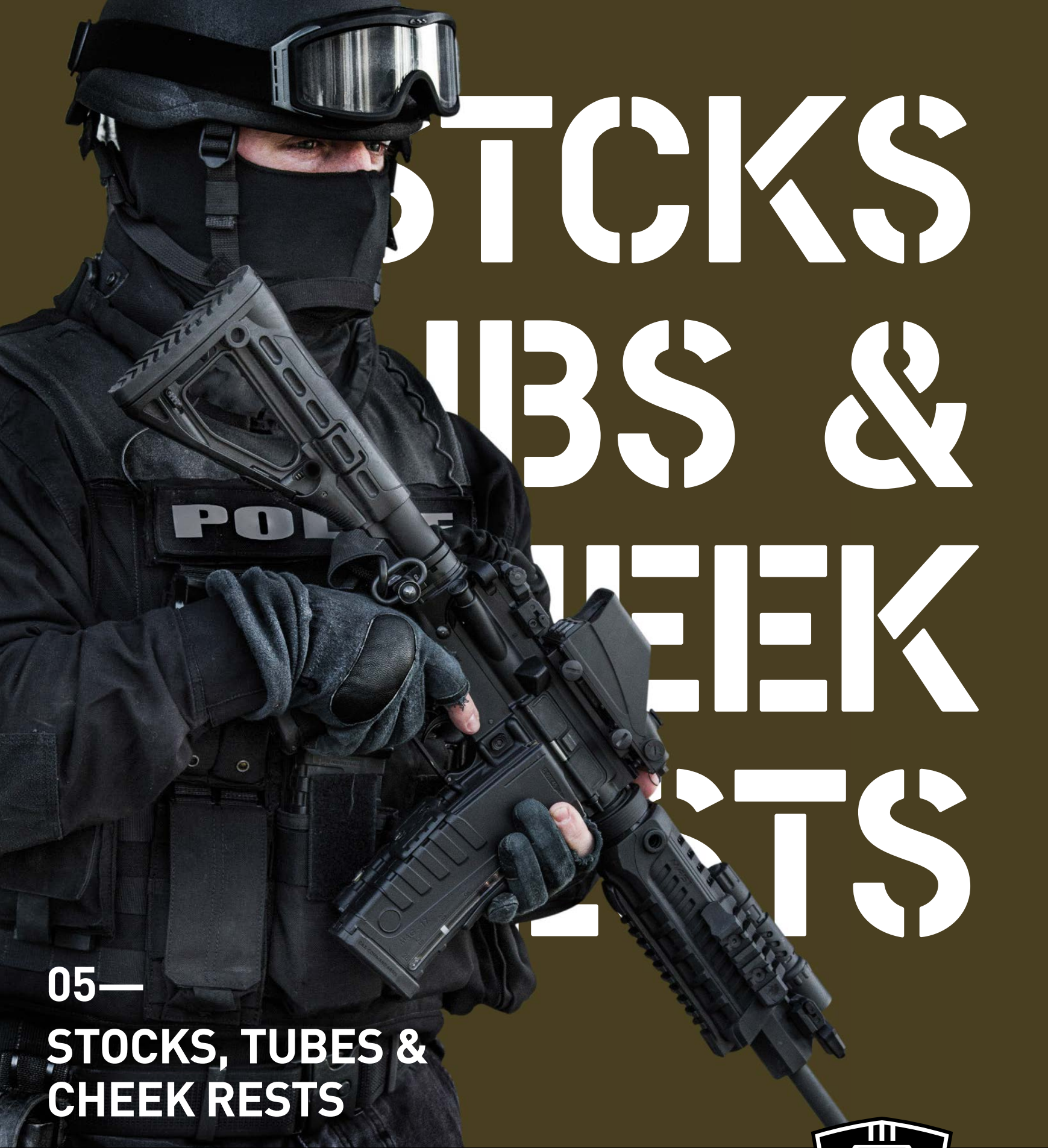
An ambidextrous (left/right handed users) charging handle.

- Smooth action.
- Fits M4/AR15 rifles.

Part #: EM-CH-AX (Left/right  
handed user)  
EM-CH-AX (right handed user)

Made Of: Aluminum  
Weight (gr): 30

Colors: ■



# STOCKS TUBES & WEEK RESTS

05—  
STOCKS, TUBES &  
CHEEK RESTS



**CAA**



MILL STANDARD | WARRANTY-10 YEARS | NO GUNSMITH REQUIRED

Part #: ARS  
Eligibility: M4 Tube

Made Of: Alum+Poly  
Weight (gr): 880

Width Max (cm): 14  
Length Max (cm): 31.7

Colors: ■

#### #ARS

##### Short Multi Position Sniper Stock

Specifically engineered for the Designated Marksman. The #ARS allows the user to provide enhanced rapid accurate fire. Shorter length specifically designed for M4 and similar collapsible tubes.

- 10 positions push button adjustable length of pull of stock.
- Push button controlled fully adjustable cheek rest for height and eye relief with optics.
- Vertically adjustable rubber butt pad.
- Quick release push button leg extension with fine height adjustment button and micro adjustment ring.
- Available without the pod-leg (#ARSNL).
- Push button leg locks in 3 positions: 0°, 45°, 90°.
- Two quick release sling swivel points for the #PBSS (page 40).



MILL STANDARD | WARRANTY-10 YEARS | NO GUNSMITH REQUIRED

Part #: SRS  
Eligibility: SR25 Tube

Made Of: Alum+Poly  
Weight (gr): 900

Width Max (cm): 14  
Length Max (cm): 37

Colors: ■

#### #SRS

##### Long Multi Position Sniper Stock

The result of years of research and development. This sniper stock is ideally suited to meet the demands of the precision marksman community. Proven to provide rapid target acquisition, faster and more accurate follow up shots, and quicker target-to-target attainment. Completely adjustable, featuring a rear-folding leg that converts a rifle with a bipod into a stable shooting platform.

- 10 positions push button adjustable length of pull of stock.
- Push button controlled fully adjustable cheek rest for height and eye relief with optics.
- Vertically adjustable rubber butt pad.
- Quick release push button leg extension with fine height adjustment button and micro adjustment ring.
- Available without the pod-leg (#SRSNL).
- Push button leg locks in 3 positions: 0°, 45°, 90°.
- Two quick release sling swivel points for the #PBSS (page 40).

BEST SELLER

**#SBS****Skeleton Style Collapsible Stock**

Much more than just a stock.

- Wider and rounded frame for ultimate comfort for the cheek.
- Lever locker – prevents collapsing stock accident.
- Fits both commercial and mil spec' buffer tubes.
- Rubber non-slip buttpad with tapered angle, allows faster shouldering and increased comfort with body armor.
- Two ultrasonically welded metal quick release sling mount points.
- Soon, unique additional battery compartment and rear mono pod

Part #: SBS

Eligibility: Buffer Tubes

Made Of: Polymer

Weight (gr): 310

Width Max (cm): 4.5

Length Max (cm): 19

Height Max (cm): 12.5

Colors:   

MILL STANDARD | WARRANTY-10 YEARS | NO GUNSMITH REQUIRED

NEW

**#CBSCP****Integrated stock and adjustable cheek-rest.**

Comfort and practical.

- Locks in three height stages - 11/22/33mm.
- Ambidextrous lock-nut. Easy to switch sides.
- Allows proper eye relief of scoped rifles.
- Rubber non-slip buttpad with tapered angle, allows faster shouldering and increased comfort with body armor.
- Two (each side) ultrasonically welded metal quick release sling mount points.
- All can be easily fit to both left/right handed users.
- Available for mil standard (#CBSCPM) or commercial tube (#CBSCP).

Part #: CBSCP

Eligibility: Buffer Tubes

Made Of: Polymer

Weight (gr): 415

Width Max (cm): 4

Length Max (cm): 19

Height Max (cm): 13

Colors:   

MILL STANDARD | WARRANTY-10 YEARS | NO GUNSMITH REQUIRED



MILL-STANDARD | WARRANTY-LIFETIME | NO GUNSMITH REQUIRED

Part #: CBS

Eligibility: Buffer Tubes

Made Of: Polymer

Weight (gr): 360

Width Max (cm): 4.3

Length Max (cm): 19

Height Max (cm): 13

Colors: ■ ■ ■

### #CBS

#### Collapsible Butt Stock

Upgrade your standard collapsible buttstock with our innovative one.

- Storage compartment for CR123 batteries.
- Side Picatinny rail - allows addition of adjustable cheek-rest #ACP (page 39) or 12ga' shell holder #SSM (page 80).
- Rubber non-slip butt pad with tapered angle, allows faster shouldering and increased comfort with body armor.
- Two ultrasonically welded metal quick release sling mount points.
- All can be easily fit to both left/right handed users.
- Available for mill standard (#CBSM) or commercial tube (#CBS).



MILL-STANDARD | WARRANTY-LIFETIME | NO GUNSMITH REQUIRED

Part #: ACP

Eligibility: CBS

Made Of: Polymer

Weight (gr): 102

Length Max (cm): 11.6

Height Max (cm): 13

Colors: ■ ■ ■

### #ACP

#### Picatinny Fit Adjustable Cheek Rest

Fully adjustable cheek rest. Designed to mount on the #CBS butt stock's Picatinny rail.

- Adjustable for height with thumb knob (2.4cm range).
- By moving horizontally along the Picatinny rail, allows proper eye relief of scoped rifles.
- All can be easily fit to both left/right handed users.
- Compatible with our #CBS buttstock (page 39).



**M4/AR15****6 Positions M4 Buffer Tube**

To screw-lock the M16 buffer tube.

- Securely fits to the M4/AR15.
- Fits the original or the #TLRP lock ring and plate.

MILL STANDARD | WARRANTY-10 YEARS | NO GUNSMITH REQUIRED

Part #: M16TUBE  
Eligibility: M16

Made Of: Aluminum  
Weight (gr): 146

Length Max (cm): 20  
Diameter Max (cm): 2.95

Colors: ■

**#TLRP****Tube Lock Ring & Plate**

To screw-lock the M16 buffer tube.

- Those together are required to lock the tube to the M4.
- Fits most threads.

MILL STANDARD | WARRANTY-10 YEARS | NO GUNSMITH REQUIRED

Part #: TLRP  
Eligibility: M16 Tube

Made Of: Aluminum

Weight (gr): 90

Colors: ■

**#PBSS****Heavy Duty Quick Release Sling Swivel**

Quick detach push button design

- Easily attached to our #RONI and all CAA stocks.
- Swivels and designed for left/right handed users.

MILL-STANDARD | WARRANTY-LIFETIME | NO GUNSMITH REQUIRED

Part #: PBSS  
Eligibility: Sling Insert

Made Of: Steel  
Weight (gr): 25

Width Max (cm): 2.2  
Length Max (cm): 4.1

Colors: ■ ■ ■



MILL STANDARD | WARRANTY-10 YEARS | NO GUNSMITH REQUIRED

Part #: OPSMP  
Eligibility: M16 Tube

Made Of: Aluminum

Weight (gr): 48

Colors: ■

#### #OPSMP

##### Push Button Sling Swivel Mount

Accommodates the one point sling, using #PBSS (Page 40).

- Quick release button.
- Great for rifle to pistol transition.
- Easy and fast installation - no need to disassemble the tube.
- Ambidextrous design.



MILL STANDARD | WARRANTY-10 YEARS | NO GUNSMITH REQUIRED

Part #: OPSM  
Eligibility: M16 Tube

Made Of: Aluminum

Weight (gr): 22

Colors: ■

#### #OPSM

##### One Sling Swivel Mount

The ultimate solution for using one point sling.

- Ideal location, balancing the weapon.
- Great for rifle to pistol transition.
- Securely fits and locks on the buffer tube.
- Easy and fast installation - no need to disassemble the tube.
- Ambidextrous design.



#SPS+PBSS



#CPS

MILL STANDARD | WARRANTY-10 YEARS | NO GUNSMITH REQUIRED

Part #: CPS  
Eligibility: Picatinny

Made Of: Aluminum

Weight (gr): 25

Colors: ■

Part #: SPS+PBSS  
Eligibility: Picatinny

Made Of: Aluminum

Weight (gr): 45

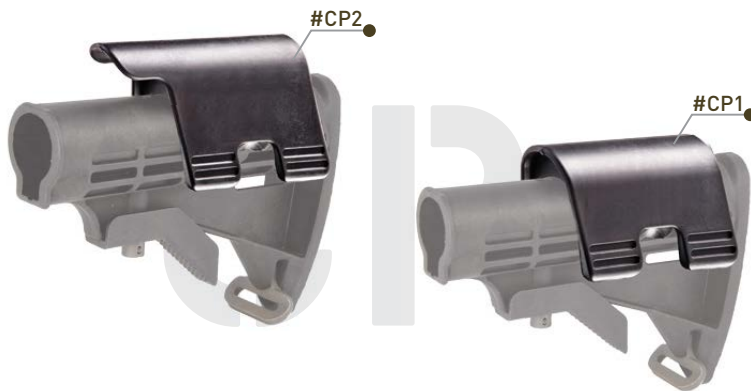
Colors: ■

#### #SPS+PBSS / #CPS

##### Pivoting Sling Mounts

Now you can fit the sling at any point on the Picatinny rail.

- Center and/or side pivoting sling mount.
- Quick release (on #SPS+PBSS).
- Uses #PBSS sling swivel (included).
- Captive nut uses thumb, flathead screw driver or wrench.



MILL STANDARD | WARRANTY-10 YEARS | NO GUNSMITH REQUIRED

Part #: CP1/CP2  
Eligibility: M16 OEM STOCK

Made Of: Polymer  
Weight (gr): 50/56

Width Max (cm): 5.4/6.5  
Length Max (cm): 9.7/13.1

Colors: ■ ■ ■

### #CP1 / #CP2

#### Rise Cheek Rest For Original Stock

Raise Your Eye Level For Proper Sight Or Optic Alignment.

- Raise: CP1 - 1.4cm. CP2 - 2.6cm.
- Installs instantly on most collapsible stocks.
- Made of rugged glass reinforced polymer to withstand harsh tactical conditions.
- No tool installation, snaps into place.
- Fits "ribbed" collapsible style stocks.
- Ideal with #CBS butt stock (page 39) - removing the side partitions is required.



MILL STANDARD | WARRANTY-10 YEARS | NO GUNSMITH REQUIRED

Part #: SST1  
Eligibility: M16 original stock

Made Of: Polymer  
Weight (gr): 90

Width Max (cm): 6.7  
Length Max (cm): 14

Colors: ■ ■ ■

### #SST1

#### Cheek Rest For Existing OEM M4 Stock

Stock Saddle provides a proper cheek weld for AR15 and similar collapsible stocks at an affordable price. Easily installs onto M4 OEM style stocks.

- A proper cheek weld allows a quicker target acquisition and comfort.
- Securely attaches to most collapsible stocks with supplied hardware.
- Two waterproof battery compartments, hold four AA batteries, or other items.
- Rubberized model adds a rubberized coating for increased comfort and control.

### NEW



MILL STANDARD | WARRANTY-10 YEARS | NO GUNSMITH REQUIRED

Part #: AKF-BS  
Eligibility: AK74, AK100's  
Made Of: Polymer

Weight (gr): 372  
Width Max (cm): 2.5

Length Max (cm): 31  
Height Max (cm): 10

Colors: ■ ■ ■

### AK BUTT-STOCK FURNITURE

A great replacement for the original AK fixed stock

- Similar in design to the original AK fixed stock.
- Lightweight and sturdy polymer construction.
- Fits AKM and AK100's (stamped receivers).
- Includes a maintenance kit compartment.
- Offered as a kit as well with our AK handguard and pistol grip furniture (see page 23, 65).



MILL-STANDARD | WARRANTY-10 YEARS | NO GUNSMITH REQUIRED

Part #: DRG-GT  
Eligibility: DRAGUNOV  
Made Of: Aluminum

Made Of #: Aluminum  
Height Max (cm): 14.5  
Weight (gr): 300

Length Max (cm): 26  
Width Max (cm): 3.5

Colors: ■

#### DRAGUNOV

##### Integrated Pistol Grip and Telescopic tube

The ultimate set-up to replace the factory stock and pistol grip. Provides a better stability and comfort.

- Accepts any AR15 style stocks. Ideal with our #CBSCP (page 38) and #ARS (page 37).
- The tube is commercial spec diameter.
- Features the #UPG47 pistol grip – rubber surface and capped storage for small items.
- Simple installation.



MILL-STANDARD | WARRANTY-LIFETIME | NO GUNSMITH REQUIRED

Part #: G3 TUBE  
Eligibility: H&K

Made Of: Aluminum  
Weight (gr): 305

Length Max (cm): 22.5  
Diameter Max (cm): 2.95

Colors: ■

#### HK-G3

##### 6 Position Tube - Conversion For HK G3

H&K G3 stock adaptor, easily allows the installation of M4 style stocks (page 37-39).

- Strongly fit to the HK G3.
- Buttstock distance locks tight.
- Major influence for stability.



MILL-STANDARD | WARRANTY-10 YEARS | NO GUNSMITH REQUIRED

Part #: GA TUBE  
Eligibility: Galil

Made Of: Aluminum  
Weight (gr): 142

Length (cm): 19.5  
Diameter (cm): 2.95

Colors: ■

#### GALIL

##### 6 Position Tube - Conversion For Galil

Easily allows the installation of M4 style stocks (page 37-39).

- Strongly fit to the GALIL.
- Buttstock distance locks tight.
- Major influence for stability.



**STAMPED/MILLED AK - ALUMINUM TUBE**  
6 Position buffer tube stock conversion

MILL STANDARD | WARRANTY-10 YEARS | NO GUNSMITH REQUIRED

Part #: AKTS/AKTM  
Eligibility: AK47/74

Made Of: Aluminum  
Weight (gr): AKTS 240,  
AKTM 276

Length Max (cm):  
AKTS 21, AKTM 18.7  
Diameter (cm): 2.95

Colors: ■



**STAMPED/MILLED AK - POLYMER TUBE**  
6 Position buffer tube stock conversion

MILL-STANDARD | WARRANTY-LIFETIME | NO GUNSMITH REQUIRED

Part #: AKTSP/AKTMP  
Eligibility: AK47/74

Made Of: Polymer  
Weight (gr): AKTSP 168,  
AKTMP 194

Length Max (cm):  
AKTSP 22.9, AKTMP 23.9  
Diameter (cm): 2.95

Colors: ■



MILL-STANDARD | WARRANTY-LIFETIME | NO GUNSMITH REQUIRED

Part #: AKSFSA	Made Of: Aluminum	Length Max (cm): 18.7	Colors: ■
Eligibility: AK74/100	Weight (gr): 276	Diameter (cm): 2.95	

**FOR AK100/AK74/KRINKOV  
AKSFSA**

6 Position buffer tube stock conversion

- Strongly fit to AK.
- Buttstock distance locks tight and well secured.
- Major influence for stability.
- Much more user friendly than the original form.



MILL-STANDARD | WARRANTY-LIFETIME | NO GUNSMITH REQUIRED

Part #: AKUFSA	Made Of: Aluminum	Length Max (cm): 24	Colors: ■
Eligibility: Under folding stock	Weight (gr): 260	Diameter (cm): 2.95	

**FOR UNDER FOLDING STOCK AK  
AKUFSA**

6 Position buffer tube stock conversion for under folding stock

- Strongly fit to AK.
- Buttstock distance locks tight and well secured.
- Major influence for stability.
- Much more user friendly than the original form.



**FOR AK100/AK74/VZ58**  
**Ambidextrous Side Folding 6 Position**  
**Telescopic Tube**

With the same product, choose how to fold - left or right

- Easily adapts to allow ambidextrous (left and right) side folding.
- Reinforced with steel inserts.
- Simple and easy to install.
- For AK – accepts stamped version only.

MILL STANDARD | WARRANTY-10 YEARS | NO GUNSMITH REQUIRED

Part #: AKSFSP	Eligibility: AK74/100	Weight (gr): 200	Made Of #: Polymer
Part #: AK47SFS	Eligibility: AK47	Length Max (cm): 25	Colors: ■ ■ ■
Part #: VZSFSP	Eligibility: VZ58	Diameter (cm): 2.95	



**FOR AK100/AK74/KRINKOV**  
**Left Or Right Side Folding 6 Position**  
**Telescopic Tube.**

Choose how would you like to fold the stock, same concept for both sides.

- Easily adapts to allow left or right side folding.
- Left version made of steel - #AKFSTL.
- Right version made of aluminum - #AKFSTR.
- Clamps tight and secure.

MILL STANDARD | WARRANTY-10 YEARS | NO GUNSMITH REQUIRED

Part #:	Eligibility: AK74/100/	Length Max (cm): 22	Made Of #: Aluminum
AKFSTR (folds right)	Karinkov	Diameter (cm): 2.95	Colors: ■
Part #:	Weight (gr): 300		
AKFSTR (folds left)			



**SA58-VZ**  
**6 Position Tube - Conversion For SA58**  
 Now You Can Upgrade Your SA58/VZ  
 With Buffer Tube.

- Major influence for stability.
- Allows installation of M4 style stocks (page 37-39).
- Much more user friendly than the original form.

<b>Part #:</b> SA58 TUBE	<b>Diameter (cm):</b> 2.95
<b>Eligibility:</b> SA58-VZ	<b>Made Of #:</b> Aluminum
<b>Weight (gr):</b> 184	<b>Colors:</b> <span style="display: inline-block; width: 10px; height: 10px; background-color: black;"></span> <span style="display: inline-block; width: 10px; height: 10px; background-color: olive;"></span> <span style="display: inline-block; width: 10px; height: 10px; background-color: orange;"></span>
<b>Length Max (cm):</b> 17.7	

MILL STANDARD | WARRANTY-10 YEARS | NO GUNSMITH REQUIRED



**AKSU, VZ58, AK100, AK74, GALIL**  
**Ambidextrous Slim Side-Folding Stock**  
 Replaces your original wood stock

- Swings and locks to the left or right.
- Stainless steel locking system.
- Tough and strong (aluminum inserts).
- Optional to add cheek rest.
- Slim shape.
- Rubber rear pad.

<b>Part #:</b> VZSFS	<b>Eligibility:</b> VZ58
<b>Part #:</b> AKSFS	<b>Eligibility:</b> AK47/100
<b>Part #:</b> GASSFS	<b>Eligibility:</b> GALIL
<b>Weight (gr):</b> 330	<b>Made Of #:</b> Aluminum
<b>Length Max (cm):</b> 28	<b>Colors:</b> <span style="display: inline-block; width: 10px; height: 10px; background-color: black;"></span>
<b>Diameter (cm):</b> 12	

MILL STANDARD | WARRANTY-10 YEARS | NO GUNSMITH REQUIRED

**MOSSBERG 500****Integrated Pistol Grip, Rail and Telescopic, Stock**

The ultimate kit to replace the factory stock, pistol grip and more. Providing better accuracy, stability and comfort.

- Provides top Picatinny rail for sights.
- Allow to operate the safety catch.
- Ergonomic telescopic lever.
- Six ultrasonically welded metal receptacles for push button sling swivels (page 40).
- Includes our #CBS (page 39) stock and uses a slip resistant pistol grip featuring finger grooves and palm swell.

MILL STANDARD | WARRANTY-10 YEARS | NO GUNSMITH REQUIRED

Part #: CMGPT500  
Eligibility: MOSS'500

Made Of: Alum+Poly  
Weight (gr): 735

Number Of Rails: 1

Colors: ■

**MOSSBERG 500****Integrated Pistol Grip, and Upper Picatinny Rail**

The ultimate kit to replace the factory stock, pistol grip and more. Providing better, stability and comfort.

- Provides top Picatinny rail for sights and.
- Allow to operate the safety catch.
- Two ultrasonically welded metal receptacles for push button sling swivels (page 40).
- Optional to add telescopic batt stock (page 37-39).

MILL STANDARD | WARRANTY-10 YEARS | NO GUNSMITH REQUIRED

Part #: MGP500  
Eligibility: Moss'500

Made Of: Polymer  
Weight (gr): 230

Number Of Rails: 1

Colors: ■



MILL-STANDARD | WARRANTY-10 YEARS | NO GUNSMITH REQUIRED

Part #: CRGPT870  
Eligibility: Rem'870

Made Of: Alum+Poly  
Weight (gr): 735

Number Of Rails: 1

Colors: ■

#### REMINGTON 870

##### Integrated Pistol Grip, Upper Picatinny Rail, Buffer Tube and CBS Stock

The ultimate kit to replace the factory stock, pistol grip and more. Providing better accuracy, stability and comfort.

- Provides top Picatinny rail for sights.
- Includes the #UPG47 pistol grip (page 64) for ideal comfort.
- Our popular #CBS collapsible stock (page 39), accommodating with M4 style 6 positions buffer tube.
- Six ultrasonically welded metal receptacles for push button sling swivels.



MILL-STANDARD | WARRANTY-LIFETIME | NO GUNSMITH REQUIRED

Part #: RGPT870  
Eligibility: Rem'870

Made Of: Polymer  
Weight (gr): 230

Number Of Rails: 1

Colors: ■

#### REMINGTON 870

##### Integrated Pistol Grip and Upper Picatinny Rail

It is possible to upgrade your Remington 870 with a flat butt shape and Picatinny rail.

- Provides top Picatinny rail for sights.
- Two ultrasonically welded metal receptacles for push button sling swivels (page 32).
- Includes the #UPG47 pistol grip (page 54) for ideal comfort.
- Optional to add telescopic buttstock (page 30).

# MAG

06—

MAGAZINES &  
COUPLERS

# AZINE

# & CO

# PL



**CAA**



NEW



MIL-STANDARD | NO GUNSMITH REQUIRED

Part #: AKMAG  
Eligibility: Most 7.62x39  
AK rifles & clones

Made Of: Polymer  
Weight (gr): 210

Width Max (cm): 7  
Height Max (cm): 20.5

Colors:

**7.62X39mm****7.62x39mm AK Rifle Type Magazine**

A reliable, lightweight and cost-effective polymer magazine. Designed for multiple AK rifles in 7.62x39mm cal. Lightweight and solid polymer construction.

- 30 rounds capacity.
- No tilt, smooth action, fluorescent orange follower.
- Clear windows on both sides.
- Follower indicates the number of remaining rounds through the side windows with left and right 10, 20, and 30 round markings.
- Mil-Spec heat-treated and long-lasting sturdy spring.
- Mildly rough surface on both sides for non-slippery, positive grip

NEW



MILL STANDARD | WARRANTY-10 YEARS | NO GUNSMITH REQUIRED

Part #: MCD47N

Eligibility: 7.62mm AK  
RiflesMade Of: Polymer  
Weight (gr): 60Width Max (cm): 7.3  
Height Max (cm): 6.6Length(cm): 7.8  
Colors: ■**7.62X39mm****CAA AK Magazine Coupler**

Expands ammunition capacity and saves precious reloading time by joining two CAA #AKMAG magazines for the 7.62mm AK rifles.

- Couples two CAA #AKMAG AK 7.62mm magazines, and allows viewing through its side-windows.
- Each magazine is placed in a different height.
- Set as one part – power spring joins the parts.
- Wide gap – makes it easy to reload.
- Screw tightened. Captive screws.
- Made of high density polymer. Very light.
- Will not scratch or deform magazines.

COMING SOON



MILL STANDARD | WARRANTY-10 YEARS | NO GUNSMITH REQUIRED

Part #: SA10MAG

Eligibility: Saiga 12g'

Made Of: Polymer  
Weight (gr): 270Width Max (cm): 3.1  
Height Max (cm): 30Length (cm): 8  
Colors: ■**SAIGA 12 Ga.****12 Gauge 10 round Magazine**

A durable and reliable magazine for your SAIGA 12 shotgun.

- Lightweight and sturdy polymer construction.
- 10 round capacity.
- No tilt, smooth action polymer follower.
- Reliable feeding.
- Mil-Spec heat-treated and long-lasting sturdy spring.
- Ribbed surface on both sides for non-slippery, positive grip.

COMING SOON



MILL STANDARD | WARRANTY-10 YEARS | NO GUNSMITH REQUIRED

Part #: SA5MAG

Eligibility: Saiga 12g'

Made Of: Polymer  
Weight (gr): 170Width Max (cm): 3.1  
Height Max (cm): 18Length (cm): 8  
Colors: ■**SAIGA Ga.****12 Gauge 5 round Magazine**

A durable and reliable magazine for your SAIGA 12 shotgun.

- Lightweight and sturdy polymer construction.
- 5 round capacity.
- No tilt, smooth action polymer follower.
- Reliable feeding.
- Mil-Spec heat-treated and long-lasting sturdy spring.
- Ribbed surface on both sides for non-slippery, positive grip.



#### AK47/74 Magazine Release Extension

Drop the magazine with one finger for a faster magazine reload.

- No need to change the position.
- Provides a better grip for the original release.

MILL STANDARD | WARRANTY-10 YEARS | NO GUNSMITH REQUIRED

Part #: AKMR  
Eligibility: AK47/74  
Made Of: Polymer

Weight (gr): 15  
Width Max (cm): 4

Height Max (cm): 3.5  
Colors: ■



**AK47/74  
Magazine Loader & Unloader**  
Magazine loader for 7.62X39 ammunition. Designed to easily load single magazines with speed and efficiency.

- Thumb lever easily loads each round.
- Works with AK47 style.

MILL STANDARD | WARRANTY-10 YEARS | NO GUNSMITH REQUIRED

Part #: ML762  
Eligibility: AK47/74

Made Of: Polymer  
Weight (gr): 40

Colors: ■



#### AK47/74 Magazine Coupler

Magazine coupler expands ammunition capacity and saves precious reloading time by joining two aluminum magazines for the AK47.

- Magazines can be placed in a different height.
- Set as one part - power spring joins the parts.
- Wide gap - makes it easy to reload.
- Made of high density polymer - very light.
- Will not scratch or deform magazines.
- Screw tightened.

MILL STANDARD | WARRANTY-10 YEARS | NO GUNSMITH REQUIRED

Part #: MC47N  
Eligibility: AK47/74

Made Of: Polymer  
Weight (gr): 60

Width Max (cm): 7.5  
Height Max (cm): 6.5

Colors: ■



#### MP5 Magazine Coupler

Expands ammunition capacity and saves precious reloading time by joining two magazines for the MP5.

- Each magazine can be placed in a different height.
- Set as one part - power spring joins the parts.
- Wide gap - makes it easy to reload.
- Made of high density polymer - very light.
- Will not scratch or deform magazines.
- Screw tightened.

MILL STANDARD | WARRANTY-10 YEARS | NO GUNSMITH REQUIRED

Part #: MC5N  
Eligibility: MP5

Made Of: Polymer  
Weight (gr): 50

Width Max (cm): 7  
Height Max (cm): 5

Colors: ■

BEST SELLER



Pop up pin-  
full magazine indicator

White Indicator

**5.56mm****Indicative Magazine**

New and unique magazine - provides a clear window on both sides (showing the number of remaining rounds) and a full magazine indicator pop-up pin on the bottom.

- Bright and clear white polymer indicator.
- In the base, a thumb-touch pop-up pin, so you can always know if the mag' is fully loaded.
- 30 rounds 5.56X45 (.223) magazine.
- To reduce the spring's pressure, for your own choose, you can convert the magazine to fit 29 rounds.
- High impact polymer.
- Lightweight and rustproof.
- Fits the #MCD16N – our magazine coupler (page 55).

Part #: MAG17  
Eligibility: 5.56mm  
Made Of: Polymer  
Weight (gr): 155

Width Max (cm): 7  
Height Max (cm): 19  
Colors:



CAA MAG17

MILL-STANDARD | NO GUNSMITH REQUIRED

NEW

**5.56mm****30 Rounds Polymer Magazine**

Strong and reliable polymer magazine for 5.56X45.

- 100% reliable - non-tilting follower.
- Corrosion resistant stainless steel spring.
- Mechanism does not interfere disassembly.
- Proven in extreme conditions, such as rapid fire and water.
- Fits the #MCD16N – our magazine coupler (page 55).

Part #: MAG  
Eligibility: 5.56mm  
Made Of: Polymer  
Weight (gr): 155

Width Max (cm): 7  
Height Max (cm): 19  
Colors:

MILL-STANDARD | NO GUNSMITH REQUIRED



MILL-STANDARD | NO GUNSMITH REQUIRED



Part #: CDMAG  
Eligibility: 5.56mm

Made Of: Polymer  
Weight (gr): 190

Width Max (cm): 7  
Height Max (cm): 19

Colors: ■ ■ ■

**5.56mm**

**Countdown Magazine**

Always know, in a glance, exactly how many rounds left.

The innovative and exclusive counting magazine has a color and numeric indicators on the rear and bottom of the magazine.

According to the left rounds in the magazine - numbers appears on three different backgrounds: 30-21 green, 20-11 rounds yellow, 10-0 rounds red.

The rear indicator is colored & numeric - allows the exact information without losing eye contact from target or losing the body position. The bottom indicator is colored and has a numeric additional spare indication - allows the information, so you know what magazine to use next from the vest pouch.

- 100% reliable - non-tilting and a corrosion resistant stainless steel spring.
- Mechanism does not interfere disassembly.
- Proven in extreme conditions, such as rapid fire and water.
- Fits the #MCD16N – our magazine coupler (page 55).

**BEST SELLER**



MILL-STANDARD | NO GUNSMITH REQUIRED

Part #: MCD16N  
Eligibility: CAA 5.56mm Magazine

Made Of: Polymer  
Weight (gr): 60

Width Max (cm): 6.5  
Height Max (cm): 5

Colors: ■ ■ ■

**5.56mm**

**CAA Magazine Coupler**

Magazine coupler expands ammunition capacity and saves precious reloading time by joining two CAA 5.56X45 magazines.

- Allows to view the #MAG17 (page 54) side-window.
- Each magazine is placed in a different height.
- Set as one part - power spring joins the parts.
- Wide gap - makes it easy to reload.
- Screw tightened, captive screws.
- Made of high density polymer - very light.
- Will not scratch or deform magazines.



MILL-STANDARD | NO GUNSMITH REQUIRED

Part #: MC16N  
Eligibility: Metal OEM  
Magazine

Made Of: Polymer  
Weight (gr): 12

Width Max (cm): 7  
Height Max (cm): 11.3

Colors: ■

#### M4/AR15 Coupler For OEM Metal Magazine

The new and improved magazine coupler comes with small and large removable pouch pulls.

- The pouch pull automatically sets the height of the magazines, so they won't interfere with the ejection port.
- Three adjustment screws for additional strength.
- Molded hole for string.



MILL STANDARD | WARRANTY-10 YEARS | NO GUNSMITH REQUIRED

Part #: ML5.56  
Eligibility: 5.56mm

Made Of: Polymer  
Weight (gr): 12

Colors: ■

#### 5.56mm Magazine Loader

Designed to easily load single magazines with speed and efficiency.

- Thumb lever easily loads each round.



MILL STANDARD | WARRANTY-10 YEARS | NO GUNSMITH REQUIRED

Part #: DC4  
Eligibility: 5.56mm

Made Of: Rubber  
Weight (gr): 12

Colors: ■

#### 5.56mm Magazine Dust Cover

Four rubber dust cover for 5.56X45 magazines.

- Prevents dust to and mud to enter into the magazine



MILL-STANDARD | NO GUNSMITH REQUIRED

Part #: MAG30BLK  
Eligibility: 5.56mmMade Of: Polymer  
Weight (gr): 12Width Max (cm): 7  
Height Max (cm): 11.3

Colors: ■

**5.56mm**  
**30 rounds blank magazine**  
The safest blank 5.56mm magazine.

- 30 rounds 5.56X45 (.223) magazine.
- Uniquely designed for blank ammunition.
- Safe - blocks live rounds.
- White color - define from life magazines.
- High impact polymer.
- #30BLOCK - A chamber blocker to obstruct live magazine.



MILL-STANDARD | NO GUNSMITH REQUIRED

Part #: MAG10  
Eligibility: 5.56mmMade Of: Polymer  
Weight (gr): 85Width Max (cm): 7  
Height Max (cm): 10

Colors: ■ ■ ■

**5.56mm**  
**10 Rounds 5.56X45 Polymer Magazine**  
Now you can have our famous #MAG, but in a 10 rounds format. Comfort grip for quick reload.

- Easy to draw out.
- 100% reliable - non-tilting follower.
- Corrosion resistant stainless steel spring.
- Mechanism does not interfere disassembly.
- Proven in extreme conditions, such as rapid fire and water.



MILL-STANDARD | NO GUNSMITH REQUIRED

Part #: MAG22-10 RD,  
MAG22-15 RD  
Eligibility: Armscor /  
Rock Island Armory Mig 22Made Of: Polymer  
Weight (gr): 85Width Max (cm): 7  
Height Max (cm): 10

Colors: ■ ■ ■

**MAG22-10/15**  
**0.22Lr Cal. Magazine For The Armscor /  
Rock Island Armory Mig 22 Rifle**

Now you can fit the sling at any point on the Picatinny rail.

- A designated ergonomic polymer magazine for the Armscor / Rock Island Armory MIG 22 Rifle.

07—

FOREARM &  
PISTOL GRIPS

FORE-  
ARM  
PISTOL  
GRIP



CAA



MILL STANDARD | WARRANTY-10 YEARS | NO GUNSMITH REQUIRED

Part #: MGRIP  
Eligibility: Picatinny  
Made Of: Polymer

Weight (gr): 90  
Length (cm): 8

Width Max (cm): 3.5  
Height Max (cm): 8.5

Colors: ■ ■ ■

#### #MGRIP

**Curved CQB Magazine Grip**  
For a closer and tighter grip

- Designed for CQB situations.
- Provides a comfortable grip surface
- Increased comfort and control during fire.
- Securely attaches to any Picatinny rail.



MILL STANDARD | WARRANTY-10 YEARS | NO GUNSMITH REQUIRED

Part #: MGRIP1  
Eligibility: Picatinny  
Made Of: Polymer

Weight (gr): 90  
Length (cm): 8

Width Max (cm): 3.5  
Height Max (cm): 8.5

Colors: ■ ■ ■

#### #MGRIP1

**Ergonomic CQB Magazine Grip**  
For a closer and tighter grip

- Features finger grooves.
- Removable pressure switch mounting cover.
- Increased comfort and weapon performance.
- Provides more control during firing while reducing fatigue.
- Securely attaches to any Picatinny rail.



MILL STANDARD | WARRANTY-10 YEARS | NO GUNSMITH REQUIRED

Part #: MGRIP2  
Eligibility: Picatinny  
Made Of: Polymer

Weight (gr): 90  
Length (cm): 8

Width Max (cm): 3.5  
Height Max (cm): 8.5

Colors: ■ ■ ■

#### #MGRIP2

**Ergonomic CQB Magazine Grip**  
For a closer and tighter grip

- Wraps around the magazine well
- Increased comfort and weapon performance.
- Provides more control during firing while reducing fatigue.
- Features finger grooves.
- Removable pressure switch mounting cover.


**THE OFFICAL IDF FOREARM GRIP**

**#BPP GRIP  
Pivot Pod Grip**

One of our most demanded products. Provides a solid and comfortable forearm grip, combined with drawn and pivot pods. Highly recommended for stability and moving targets. Very effective in reducing the breath influence.

- Sturdy mechanism, spring and pods.
- Extremely reliable in rough conditions, such as mud, sand and rain.
- Easily to mounts onto Picatinny rails with a thumb nut.
- Pods are easily opened by a simple push thumb button. Two fingers are used to push and lock it back.
- 140° pivoting – once lifting the pods, automatically set back to centre.
- The bottom surface is made of solid rubber to avoid slipping.
- Equally made for left/right handed users.
- #BPP: Pods made of polymer with metal inserts.  
#BPP-HD: Pods made of steel.

**MILL STANDARD | WARRANTY-10 YEARS | NO GUNSMITH REQUIRED**
**Part #:** BPP GRIP  
**Eligibility:** Picatinny

**Made Of:** Alum+Poly  
**Weight (gr):** 250

**Height Open (cm):** 20.4  
**Height Closed (cm):** 15.3

**Colors:** ■ ■ ■

**Part #:** BPP GRIP HD  
**Eligibility:** Picatinny

**Made Of:** Poly+Steel  
**Weight (gr):** 340

**Height Open (cm):** 20.4  
**Height Closed (cm):** 15.3

**Colors:** ■ ■ ■



**#FGA**

**Forearm Grip With Flashlight Adaptor**

Combines a 1" light mount and vertical grip into one unit.

- Thumb activated on/off push button incorporates an intermittent and constant on position (1).
- Side safety switch - prevents inadvertent activation of the light during covert activities (2).
- Storage compartment with a screw cap base for small cleaning kit or extra batteries (3).
- A small Picatinny rail is included; attaches to either side or bottom of mount for the addition of a laser (4).
- Slot for pressure switch and cable (5).
- Rubber pressure switch covers - allows customized pressure switch mounting and sizing (5).
- Quickly attaches to rail with captive thumbnuts (6).

MILL STANDARD | WARRANTY-10 YEARS | NO GUNSMITH REQUIRED

Part #: FGA  
Eligibility: Picatinny  
Made Of: Polymer

Number Of Rails: 1  
Weight (gr): 252  
Height Max (cm): 13.4

Length Max (cm): 14.5  
Width Max (cm): 3.7

Colors: ■ ■ ■



**#FVG5B**

**Five Position Folding Forearm Grip With Batteries Compartment**

A five position polymer molded folding grip.

- Screw Tightening.
- Side push button, allows operator to switch between different grip angles.
- Ergonomic Design.

MILL STANDARD | WARRANTY-10 YEARS | NO GUNSMITH REQUIRED

Part #: FVG5B  
Eligibility: Picatinny

Made Of: Polymer  
Weight (gr): 120

Height Max (cm): 12

Colors: ■

BEST SELLER



## #EVG

**Ergonomic Forearm Vertical Grip**

Molded polymer ergonomic grip.

- Provides a natural aiming stance.
- Incorporates a storage compartment.
- No tools required, captive thumb nut.

MILL STANDARD | WARRANTY-10 YEARS | NO GUNSMITH REQUIRED

Part #: EVG

Eligibility: Picatinny

Made Of: Polymer

Weight (gr): 110

Width Max (cm): 4.2

Height Max (cm): 11

Colors: ■ ■ ■

BEST SELLER



## #MVG

**Short Forearm Vertical Grip**

Molded polymer forward grip.

- Incorporates a storage compartment.
- Rubberized front and back for comfortable non slip grip surface.
- No tools required, captive thumb nut.
- Removable pressure switch mounts.

MILL STANDARD | WARRANTY-10 YEARS | NO GUNSMITH REQUIRED

Part #: MVG

Eligibility: Picatinny

Made Of: Polymer

Weight (gr): 100

Width Max (cm): 3.8

Height Max (cm): 8.5

Colors: ■ ■ ■





**#SVG**  
Short Forearm Vertical Grip  
Molded Polymer Short Grip.

- Incorporates a storage compartment. Comfortable grip surface, has control rings for a non-slip grip.
- Screw tightened.

MILL STANDARD | WARRANTY-10 YEARS | NO GUNSMITH REQUIRED

Part #: SVG  
Eligibility: Picatinny  
Made Of: Polymer

Weight (gr): 88  
Width Max (cm): 3.8

Height Max (cm): 9.6  
Colors:



**#BVG**  
forearm vertical grip with waterproof compartment  
Quick Detach, Molded Polymer Vertical Grip

- Incorporates a storage compartment.
- Comfortable grip surface, has control rings for a non-slip grip.
- Screw tightened.

MILL STANDARD | WARRANTY-10 YEARS | NO GUNSMITH REQUIRED

Part #: BVG  
Eligibility: Picatinny  
Made Of: Polymer

Weight (gr): 84  
Width Max (cm): 3.2

Height Max (cm): 12.2  
Colors:



**#CGRIP**  
Versatile Ergonomic Forearm Grip

- Bottom screw cap storage compartment.
- Quickly attaches/detaches from Picatinny rail with captive thumb nut screw.
- Includes #PGS removable switch mount.

MILL STANDARD | WARRANTY-10 YEARS | NO GUNSMITH REQUIRED

Part #: CGRIP  
Eligibility: Picatinny  
Made Of: Polymer

Weight (gr): 120  
Width Max (cm): 3.7

Height Max (cm): 13.2  
Colors:



**#TVG / #TVG1**  
Side Clip Short/Long Vertical Grip  
Molded forearm grip.

- Incorporates a storage compartment.
- Screw tightened.

MILL STANDARD | WARRANTY-10 YEARS | NO GUNSMITH REQUIRED

Part #: TVG/TVG1  
Eligibility: Picatinny  
Made Of: Polymer

Weight (gr): 60/90  
Width Max (cm): 3

Height Max (cm): 13.2  
Colors:



**AK47, AKSU, VZ58, GALIL**  
**6 Piece Interchangeable Front And Back Straps**

An ergonomic pistol grip with six piece rubber interchangeable front and back straps. Allows customizing grip to fit all hand sizes for maximum comfort and control.

- Easily replaces the original OEM pistol grip.
- Provides increased control during firing while reduces fatigue.
- Replaceable front and back straps for a firm grip.
- Stippled surface. Minimizes risk of slippage when wet.
- Capped storage for small items.

MILL-STANDARD | WARRANTY-LIFETIME | NO GUNSMITH REQUIRED

Part #: UPG47  
Eligibility: VZ58/AK47/  
GALIL/AKSU

Made Of: Polymer  
Weight (gr): 105

Width Max (cm): 3  
Height Max (cm): 11.4

Colors:



**M16/AR15, M4**  
**6 Piece Interchangeable Front And Back Straps**

An ergonomic pistol grip with six piece rubber interchangeable front and back straps. Allows customizing grip to fit all hand sizes for maximum comfort and control.

- Easily replaces the original OEM pistol grip.
- Provides increased control during firing while reduces fatigue.
- Replaceable front and back straps for a firm grip.
- Stippled surface. Minimizes risk of slippage when wet.
- Capped storage for small items.

MILL-STANDARD | WARRANTY-LIFETIME | NO GUNSMITH REQUIRED

Part #: UPG16  
Eligibility: M16  
Made Of: Polymer

Weight (gr): 116  
Width Max (cm): 3

Height Max (cm): 12.6

Colors:



MILL-STANDARD | WARRANTY-LIFETIME | NO GUNSMITH REQUIRED

Part #: G16  
Eligibility: M16

Made Of: Polymer  
Weight (gr): 102

Width Max (cm): 3.2  
Height Max (cm): 11

Colors: ■ ■ ■

**AR15  
Ergonomic Pistol Grip**

Tactical pistol grip for M16/AR15/M4. Replaces the original pistol grip in moments.

- Increased comfort and weapon performance.
- Provides more control during firing while reducing fatigue.
- Finger grooves and palm swell allows a firm grip.
- Checkered front strap.
- Bottom storage compartment.



MILL-STANDARD | WARRANTY-LIFETIME | NO GUNSMITH REQUIRED

Part #: G47  
Eligibility: AK47/74, VZ58

Made Of: Polymer  
Weight (gr): 102

Width Max (cm): 3.2  
Height Max (cm): 11

Colors: ■ ■ ■

**AK47, VZ58, MIG22  
Ergonomic Pistol Grip**

Tactical pistol grip for AK47. Replaces the original pistol grip in moments.

- Increased comfort and weapon performance.
- Provides more control during firing while reducing fatigue.
- Finger grooves and palm swell allows a firm grip.
- Checkered front strap
- Bottom storage compartment.

Part #: G22  
Eligibility: Armscore MIG22

Made Of: Polymer  
Weight (gr): 102

Width Max (cm): 3.2  
Height Max (cm): 11

Colors: ■ ■ ■

**NEW**



MILL-STANDARD | WARRANTY-LIFETIME | NO GUNSMITH REQUIRED

Part #: AKF-PG  
Eligibility: AK47/74, AK100's

Made Of: Polymer  
Length (cm): 6  
Weight (gr): 84

Width Max (cm): 2.4  
Height Max (cm): 9.8

Colors: ■

**AK PISTOL GRIP FURNISH**

A great replacement for the original AK pistol grip

- Similar in design to the original AK pistol grip.
- Lightweight and sturdy polymer construction.
- Fits most AK's.
- Offered as a kit as well with our AK Stock and handguard furnish. (See page 23, 42).

08—

FLASHLIGHTS &  
MOUNTS

# FLASHLIGHTS & MOUNTS



CAA



NEW



**#TC**  
Aluminum Tactical Led Flashlight

- O-ring sealed - Water and shock resistant.
- Reflector optics protected by polycarbonate lens.
- Anodized inside and out against corrosion.
- Dual mode tail switch.
- Lamp Life up to 100,000 hours.
- Including ballistic nylon holster.
- Ideally fits our mounts (pages 68, 69).

MILL STANDARD | WARRANTY-10 YEARS | NO GUNSMITH REQUIRED

<p><b>Part #:</b> TC1  <b>Made of:</b> Aluminum  <b>Eligibility:</b> #PL2, #UFH3, #FGA, #PLS1</p>	<p><b>Lamp:</b> 1W Luxeon® LED  <b>Battery:</b> 1X CR-123A Lithium  <b>Run Time:</b> 80 min</p>	<p><b>Body Diameter:</b> 25.5  <b>Lumens:</b> 90  <b>Total Weight (gr):</b> 90  <b>Length (cm):</b> 10</p>	<p><b>Colors:</b> ■</p>
<p><b>Part #:</b> TC3  <b>Made of:</b> Aluminum  <b>Eligibility:</b> #PL2, #UFH3, #FGA, #PLS1</p>	<p><b>Lamp:</b> 1W Luxeon® LED  <b>Battery:</b> 1X CR-123A Lithium  <b>Run Time:</b> 160 min</p>	<p><b>Body Diameter:</b> 25.5  <b>Lumens:</b> 130  <b>Total Weight (gr):</b> 115  <b>Length (cm):</b> 13.5</p>	<p><b>Colors:</b> ■</p>

## BEST SELLER



MILL STANDARD | WARRANTY-10 YEARS | NO GUNSMITH REQUIRED

Part #: PLS1/PLS34  
 Eligibility: Picatinny  
 Made Of: Polymer

Weight (gr): 45  
 Diameter: 25.4mm [#PLS1/PLS1Q]  
 Diameter: 19mm [#PLS34/PLS34Q]

Colors: ■ ■ ■

## #PLS

Low Profile And Slim Shape  
Flashlight/Laser Mount

#PLS1/PLS-34 side clip, screw tightened.  
 #PLS1Q/PLS34Q- slide clip, quick release.

- User can easily access flashlight's on/off button with thumb, while using a vertical grip.
- Slides and lock on rail.



MILL STANDARD | WARRANTY-10 YEARS | NO GUNSMITH REQUIRED

Part #: PLS1Q-GP  
 Eligibility: Picatinny  
 +Glock Rail

Made Of: Alum+Poly  
 Weight (gr): 50  
 Diameter: 25.4mm

Colors: ■ ■ ■

## #PLS1Q-GP

## Flashlight Mount For Glock's Rail And Picatinny

Use the same mount and flashlight on your Glock and rifle.

- Unique aluminum lug for a secure mounting.
- Operator can easily access on/off button with thumb.
- Slides and locks onto rail.



MILL STANDARD | WARRANTY-10 YEARS | NO GUNSMITH REQUIRED

Part #: PL1/PL2  
 Eligibility: Picatinny  
 Made Of: Polymer

Weight (gr): 40  
 Diameter: 19mm [#PL1]  
 24.5mm [#PL2]

Colors: ■ ■ ■

## #PL

## Picatinny Flashlight/Laser Mount

Quick release flashlight/Laser mount.

- Available in two diameters: #PL1- 19mm, #PL2- 25.4mm.
- Operator can easily access flashlight's on/off button with thumb, while using a vertical grip.
- Dual locks for extra securing
- Slides & lock onto rail.

BEST SELLER



#UFH

Five Position Flashlight Mount

Flashlight and mount, quickly locks in any desired position.

- Change positions by a simple action: push/pull/rotate.
- Locks in five positions: 0° 45° 90° 135° 180°.
- Optional to screw-lock the position.
- Operator can easily access on/off button with thumb, while using a vertical grip.
- Available in two versions:  
 #UFH - screw tightened, side clip.  
 #UFHP - push button quick release, slide clip.

MILL STANDARD | WARRANTY-10 YEARS | NO GUNSMITH REQUIRED

Part #: UFH3/UFH3P Eligibility: Picatinny	Made Of: Polymer Weight (gr): 70	Diameter: 24.4-27	Colors: <span style="display: inline-block; width: 10px; height: 10px; background-color: black;"></span> <span style="display: inline-block; width: 10px; height: 10px; background-color: #444;"></span> <span style="display: inline-block; width: 10px; height: 10px; background-color: #ccc;"></span>
--	-------------------------------------	-------------------	--



#FGA

Forearm Grip With Flashlight Adaptor

Combines a 1" light mount and vertical grip into one unit.

- Thumb activated on/off push button incorporates an intermittent and constant on position (1).
- Side safety switch - prevents inadvertent activation of the light during covert activities (2).
- Storage compartment with a screw cap base for small cleaning kit or extra batteries (3).
- A small Picatinny rail is included; attaches to either side or bottom of mount for the addition of a laser (4).
- Slot for pressure switch and cable (5).
- Rubber pressure switch covers - allows customized pressure switch mounting and sizing (5).
- Quickly attaches to rail with captive thumbnuts (6).

MILL STANDARD | WARRANTY-10 YEARS | NO GUNSMITH REQUIRED

Part #: FGA Eligibility: Picatinny Made Of: Polymer	Number Of Rails: 1 Weight (gr): 252 Height Max (cm): 13.4	Length Max (cm): 14.5 Width Max (cm): 3.7	Colors: <span style="display: inline-block; width: 10px; height: 10px; background-color: black;"></span> <span style="display: inline-block; width: 10px; height: 10px; background-color: #444;"></span> <span style="display: inline-block; width: 10px; height: 10px; background-color: #ccc;"></span>
---	---	--	--



09—  
HOLSTERS

# HOLSTERS



**CAA**

**#TMP****Thigh Modular Platform - Drop Leg**

The heart of the TMP is the durable and lightweight rigid structure providing a modular platform for mounting any of CAA's holsters or magazine carriers (except the SHS). The side magazine carrier mounts are removable when not being utilized.

- The Modular Thigh Platform (TMP) is compatible with most CAA holsters and magazine carriers providing a secure and comfortable drop leg carry of firearms and two magazine carriers. The TMP is totally ambidextrous for both left and right hand use or for mounting additional magazines on the user's weak side.
- The rigid TMP is secured to a nylon covered quilted foam pad. This pad provides a comfortable all day carry. The TMP is secured to the leg with two elastic nylon straps and to the belt with one nylon web strap. All straps employ side release buckles.

**Part #:** TMP  
**Made Of:** Polymer

**Eligibility:** Thigh modular platform  
(Holsters & mag' pouches sold separately)

**Colors:** ■





Part #: SHGL1  
Part #: SH1911  
Part #: SHM&P

**Eligibility:** For all Glock 9mm & 40 cal.  
**Eligibility:** Non railed Colt 1911, Springfield, Para Ordnance, Armscor 1911 & TCM  
**Eligibility:** For all S&W M&P 9mm & .40 cal magazine

**Made Of:** Polymer  
**Colors:** ■

### #SH

#### Multi Retention Holster

In addition to being rugged, the lightweight SH model holster provides the following new and improved features favored by professional shooters, SWAT officers, and Spec-Ops operatives

- 1 Rotating click retention switch.
- 2 Trigger position indicator.
- 3 Low front profile for extractor (chambered round) indication.
- 4 Three angle positions: forward, backwards and vertical.
- 5 Enables a positive grip for a quick and smooth draw.
- 6 Paddle or belt-loop carry options.



Part #: TLHG1  
Made Of: Polymer

**Eligibility:** For Glock 9mm & .40 cal  
17,18,19, 22, 23, 25, 31, 32

**Colors:** ■

### #TLH

#### Trigger Locking Holster

The TLH model is lightweight and rugged while providing Level 2 retention with an index finger guide for quicker handgun access.

- 1 Index finger push-button - holds against the pistol's trigger guard.
- 2 Index finger guide, for safe and smooth draw (prevents accidental discharge).
- 3 Trigger position indicator.
- 4 For Glock Gen.4: low front profile for extractor (chambered round) indication.
- 5 Three angle positions: forward, backwards and vertical.
- 6 Enables a positive grip for a quick and smooth draw.
- 7 Paddle and belt-loop carry options.



OWB - Outside Waist Band

IWB - Inside Waist Band

**Part #:** AHSGL1  
**Made Of:** Polymer

**Eligibility:** For Glock 9mm & .40 cal  
17,18,19, 22, 23, 25, 31, 32

**Colors:** ■

**#AHS****Ambidextrous Inner & Outer Holster**

The AHS is a true breakthrough in polymer holster design, offering the user great versatility in a holster. The AHS consists of an outer shell and an insert molded to fit a specific handgun. The insert is attached to the shell with screws to insure a solid and rugged holster assembly.

- 1 A rugged polymer belt clip for inner left or right use.
- 2 Paddle for a comfortable outer left or right use.
- 3 Three angle positions on the outer carry option: forward, vertical and rear.
- 4 Enables a positive grip for quick and smooth draw.



IWB - Inside Waist Band

**Part #:** SHSGL1  
**Made Of:** Polymer

**Eligibility:** For Glock 9mm & .40 cal  
17,18,19, 22, 23, 25, 31, 32

**Colors:** ■

**#SHS****Ambidextrous Inner Slim Holster**

The SHS utilizes the same modular system as the AHS, yet offers a slimmer, low profile ambidextrous design, which provides a super comfortable carry and feel, as well as an excellent and positive pistol grip for a perfect draw.

- The SHS design provides the user with a comfortable IWB carry by using a slimmer shell and a metal belt clip, for either a left or right hand carry.
- The SHS's shape and design provides a positive grasp on the pistol grip for a quick draw and presentation.





#### #SMP Single Magazine Carrier

- A firm and secured carry.
- Low profile design and large side cuts. Allows an immediate positive grip and draw of the magazine.
- Uses paddle or belt loop.
- Adjustable three-position angle.

**Part #:** SMP  
**Made Of:** Polymer

**Eligibility:** For All Glock 9mm & .40 cal magazines

**Colors:** ■



#### #DMP Double Magazine Carrier

Provide The Conversion Carry And Upward Draw

- A firm and secured carry.
- Low profile design and large side cuts. Allows an immediate positive grip and draw of the magazine.
- The DMP's large side cuts also provide quicker access from the magazine in the right carrier to the magazine in the left carrier.
- Uses paddle or belt loop.
- Adjustable three-position angle.

**Part #:** DMP  
**Made Of:** Polymer

**Eligibility:** For All Glock 9mm & .40 cal magazines

**Colors:** ■



**#BSMP****Break Away Single Magazine Carrier**

The BSMP unique open-front design, and retention system allows the user to "break" or push the magazine away from his body, even in extreme conditions or while in difficult positions, or while wearing heavy clothing and/or equipment.

- The BSMP utilizes CAA's compact paddle belt adaptor and can be comfortably and securely carried either paddled, or on the belt, and provides the adjustable 3-position angle.

**Part #:** BSMP  
**Made Of:** Polymer

**Eligibility:** For All Glock 9mm & .40 cal magazines  
**Colors:** ■

**#BDMP****Break Away Double Magazine Carrier**

The BDMP's unique open-front design, and retention system allows the user to "break" or push the magazine away from his body, even in extreme conditions or while in difficult positions, or while wearing heavy clothing and/or equipment.

- The BDMP utilizes CAA's paddle belt adaptor and can be comfortably and securely carried either paddled, or on the belt, and provides the adjustable 3-position angle.

**Part #:** BDMP  
**Made Of:** Polymer

**Eligibility:** For All Glock 9mm & .40 cal magazines  
**Colors:** ■

**#RBSMP****Reversed Break Away Single Magazine Carrier**

Utilizes the same unique open-front design and retention system as the BSMP. The cap also allows the user to securely carry magazines with the magazine base in a downward position.

- Has a slimmer profile and mounts tighter to the body utilizing the belt loop or directly to the TMP/Thigh Modular Platform. It allows the user to easily "break away" from his body, even while in difficult position, while seating, and while wearing heavy clothing and/or equipment.

**Part #:** RBSMP  
**Made Of:** Polymer

**Eligibility:** For full size & medium glock 9mm & .40 cal  
**Colors:** ■

**#RBDMP****Reversed Break Away Double Magazine Carrier**

Utilizes the same unique open-front design and retention system as the BDMP. The cap also allows the user to securely carry magazines with the magazine base in a downward position.

- Has a slimmer profile and mounts tighter to the body utilizing the belt loop or directly to the TMP/Thigh Modular Platform. It allows the user to easily "break away" from his body, even while in difficult position, while seating, and while wearing heavy clothing and/or equipment.

**Part #:** BDMP  
**Made Of:** Polymer

**Eligibility:** For All Glock 9mm & .40 cal magazines  
**Colors:** ■

# BI-PODS & MISCELLANEOUS LANGUAGES



10—  
BI-PODS &  
MISCELLANEOUS



**CAA**



MILL STANDARD | WARRANTY-10 YEARS | NO GUNSMITH REQUIRED

<b>Part #:</b> NBP <b>Eligibility:</b> Picatinny	<b>Made Of:</b> S. Steel+Poly <b>Weight (gr):</b> 425	<b>Height Min (cm):</b> 17.5 <b>Height Max (cm):</b> 24.5	<b>Colors:</b> ■
<b>Part #:</b> NBPS <b>Eligibility:</b> Picatinny	<b>Made Of:</b> S. Steel+Poly <b>Weight (gr):</b> 375	<b>Height Min (cm):</b> 15 <b>Height Max (cm):</b> 19	<b>Colors:</b> ■

**#NBP / #NBPS**

**Picatinny Bottom Mounted Bi-Pods**

Versatile bipod, mounts onto a Picatinny rail. Ideal for snipers, sharpshooters and other applications.

- Pods can be attached/detached with two swift movements.
- Innovative high mount position - allows stable center of gravity.
- The base mount includes Picatinny rail to fit forearm grip or other accessories.
- Comfortable rubber covers - allows a non-slip grip.
- Each pod can be folded or unfolded separately.
- Quick release push button pod extension.
- No external springs - Whole mechanism is well covered.
- Rigid lightweight design - made of stainless steel and polymer.
- Pods can be folded to the front or back.



MILL STANDARD | WARRANTY-10 YEARS | NO GUNSMITH REQUIRED

<b>Part #:</b> SBP <b>Eligibility:</b> Picatinny	<b>Made Of:</b> S. Steel+Poly <b>Weight (gr):</b> 395	<b>Height Min (cm):</b> 18 <b>Height Max (cm):</b> 24.5	<b>Colors:</b> ■
<b>Part #:</b> SBPS <b>Eligibility:</b> Picatinny	<b>Made Of:</b> S. Steel+Poly <b>Weight (gr):</b> 345	<b>Height Min (cm):</b> 14.5 <b>Height Max (cm):</b> 17	<b>Colors:</b> ■

**#SBP**

**Picatinny Side Mounted Bi-Pods**

- Higher and wider mounting solution, gives a more stable center of gravity.
- Pods can be attached/detached with two swift movements.
- Comfortable rubber covers - allows a non-slip grip.
- Each pod can be folded or unfolded separately.
- Quick release push button pod extension.
- No external springs - Whole mechanism is well covered.
- Rigid lightweight design - made of stainless steel and polymer.
- Pods can be folded to the front or back.





**#OPS**

**One Point Sling**

Ideal for CQB, allows easy movement while operating inside tight spaces.

- Rigid and adjustable.
- Bungee construction.
- 1.5" nylon webbing.

MILL STANDARD | WARRANTY-10 YEARS | NO GUNSMITH REQUIRED

Part #: OPS  
Eligibility: Sling Mount

Made Of: Nylon  
Weight (gr): 136

Width Max (cm): 4  
Length Max (cm): 80

Colors:



**#SQA**

**Two Point Sling**

The ideal two point sling for most tactical weapons.

- Rigid and adjustable.
- Small integral pouch on sling for storage.
- Side release buckle for quick conversion from patrol mode to engagement mode.

MILL STANDARD | WARRANTY-10 YEARS | NO GUNSMITH REQUIRED

Part #: SQA  
Eligibility: Sling Mount

Made Of: Nylon  
Weight (gr): 100

Width Max (cm): 5  
Length Max (cm): 123

Colors:



# 10

## MISCELLANEOUS



### #ROBAG

#### Quick Draw Bag

For quick action and under-cover missions

- Dual zippers with single pull tab for quick and easy access.
- Single strap design allows for both cross body or single shoulder carry.
- Three inch wide padded strap with quick release snaps spreads the weight reducing fatigue.

Part #: ROBAG  
Eligibility: RONI  
Made Of: Cordura

Weight (gr): 600  
Length (cm): 50

Width Max (cm): 25  
Height Max (cm): 8

Colors: ■



### #LRC

#### Rubber Thermal Rail Covers

Set of four durable rail cover to fit on Picatinny rails.

- Set of four ladder style covers for Picatinny rails.
- Low profile fit.
- Covers can be easily cut for an exact fit

MILL STANDARD | WARRANTY-10 YEARS | NO GUNSMITH REQUIRED

Part #: LRC 4 Units  
Eligibility: Picatinny  
Made Of: Rubber

Weight (gr): 14X4=56  
Length (cm): 17.7

Height Max (cm): 0.8

Colors: ■ ■ ■



### #PCK

#### Rubber Thermal Rail Covers

Set of 12 short rubber covers for picatinny rail.

- Covers allow pressure switch cables to fit underneath.
- Protects the rails from scratches or hits.
- Protects the hands from heat during rapid fire.

MILL STANDARD | WARRANTY-10 YEARS | NO GUNSMITH REQUIRED

Part #: PCK 12 Units  
Eligibility: Picatinny  
Made Of: Rubber

Weight (gr): 10X12=120  
Length (cm): 4.6/14.6

Height Max (cm): 3.5

Colors: ■ ■



#TS

**Barrel Safety Rods**

Solution to safe training practice, instruction, display and gun storage.

- Prevents live round from being chambered.
- Securely blocks barrel, does not slide out.
- Fits many types of weapons.
- Made out of light unbreakable elastic plastic.
- Bright and visible.
- Color: Subject, any RAL color can be done (neon included).

**9X19mm:**

#TS9-LB: 13.8cm | #TS9-SB: 12.5cm

**9X19mm (SMG's such as MP5, UZI)**

#TS9MP5B: 25.5cm

**7.62X39mm (such as AK47):**

#TS762B: 50.5cm

**5.56X45mm (such as M16, GALIL & Tavor)**

#TS223-LB: 52.7cm | #TS223-CB: 42.5cm |

#TS223-SB-34cm

MILL-STAN- | WARRANTY-LIFETIME | NO GUNSMITH REQUIRED



#SSM

**12 Gauge Shotgun Shell Carrier**

Shotgun shell holder carrier, clamps onto picatinny rail, for a quick reload.

- Quick access to five extra shells.
- Ideal for use with #CBS butt stock (page 39).

MILL STANDARD | WARRANTY-10 YEARS | NO GUNSMITH REQUIRED

Part #: SSM

Eligibility: Picatinny

Made Of: Polymer

Weight (gr): 44

Width Max (cm): 2.3

Length (cm): 10.8

Colors: ■ ■ ■



#ISAFE

**Shooting Glasses**

Shooting glasses Interchangeable lens kit

- Four different lens sets – from clear to dark.
- Frame for optical lenses.
- Hard storage box.
- Fabric bag and Fabric cloth.

**#DPH****Disposable One Time Use Polymer Handcuffs**

- Once closed remains permanently locked
- Designed to standard metal handcuff specifications.
- Use and operation is identical to metal handcuffs at a fraction of the price.
- Disposable – Can be cut off using a tool at the end of use.
- Hands behind the back use is recommended.

**T-SHIRT**

Size: M/L/XL/XXL

- CAA brand T-shirt.

**BUSINESS CARD HOLDER**

- An elegant holder for your business cards bearing CAA's logo.

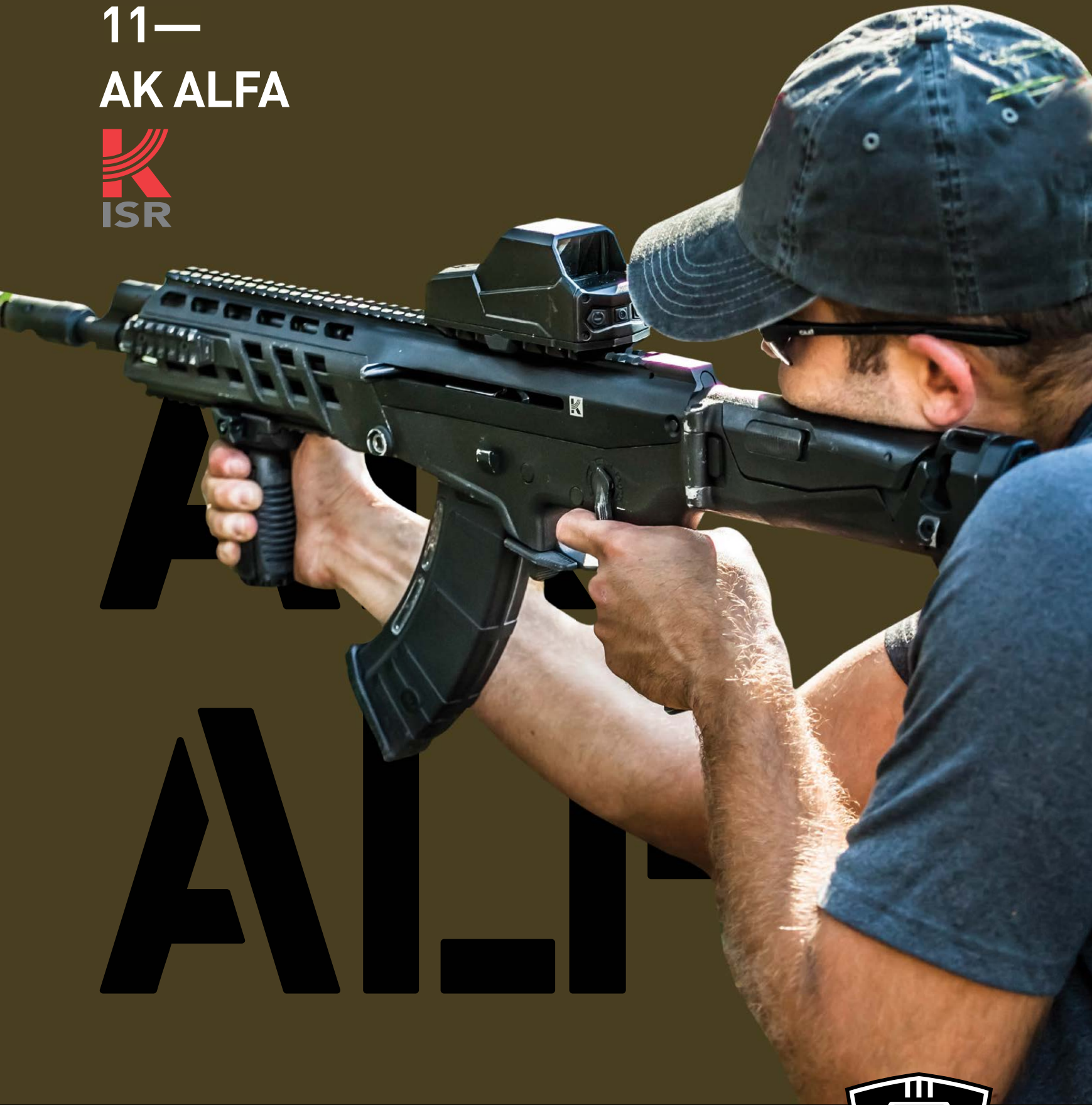
**ROLL UP**

Size: 210cmX85cm

- Various promotional roll-ups for the store or show-room.
- Free of charge: graphics can be supplied for local print.

11—

AK ALFA



AK ALFA



CAA



12 —  
SIGHTS



HARTMAN

AIM HIGH



CAA

**MH1****Product Presentation**

- The MH1 is an advanced tactical red dot reflex sight. It has the largest field of view through the sight which greatly improves target acquisition and situational awareness in day & night (NVD) scenarios.
- The MH1 was designed to maximize the user's performance with a unique ambidextrous wireless IR PTT button (infra-red push to transmit) that controls activation and brightness of the reticle. The MH1 uses a shooter designed reticle which helps to maintain the weapon on a vertical plane for more accurate shooting using balancing lines at 3 & 9 o'clock and a centered red dot.
- Unique functions such as a USB charging port and unheard of user interface control makes the MH1 one of the most advanced and innovative reflex sights in the world at a very affordable price. The MH1 offers the user a very different & efficient approach to battery consumption. The sight uses 2 batteries; a wall socket/lighter USB rechargeable battery and a standard single backup CR123 battery, allowing for extended battery life and easy reachable access. This, along with our sleep mode and dual 30° motion sensors which only activates the sight when a shooting movement takes place (no accidental activation), makes the MH1 a truly ingenious sight.
- The ergonomic design of the MH1 allows for ambidextrous use of the uniquely angled rear activation buttons and easy access to the control panel, even when placed directly in front of add-on optical devices i.e. magnifier or Night Vision Device (NVD).
- The MH1 is built to MIL-STD-810F.
- It is equipped with MIL-STD. 1913 Picatinny / Weaver mounting system assembled on the right side of the sight to avoid accidental opening.



NEW



MIL. STANDARD | WARRANTY-2 YEARS LIMITED | NO GUNSMITH REQUIRED

→ MH1 OPTION MODELS

Options	Black	Tan	Green		
	MH1	MH1-T	MH1-G	A type reticle	
	MH1-B	MH1-BT	MH1-BG	B type reticle	
	MH1-D	MH1-TD	MH1-GD	1 Locking Lever	
	MH1-BD	MH1-BTD	MH1-BGD	2 Locking Levers	

#MH1

Unique Features

- Easily accessible, angled ambidextrous activation buttons.
- The only wireless remote-controlled reflex sight (optional).
- One of a kind usb rechargeable reflex sight.
- The largest field of view through the sight.
- Accuracy enhanced reticle.
- Smart battery consumption.
- Custom user interface (optional).
- Sleep mode & memory chip.
- Dual motion sensor.
- Night vision mode.
- Fighter friendly low battery indicator.
- Lower 1/3 co-witness with backup sights.
- Rugged design.
- True parallax free.
- Durable antireflection coating.
- Invisible reticle from the target side of the lens.
- Mil-std. 1913 Locking mechanism positioned on the right hand side.
- Nitrogen filled fog resistant internal optics.

NEW



#MH1 PTT

Wireless Remote Control (Optional)

The MH1 is the only reflex sight with wireless remote control.

- Ambidextrous infrared PTT button.  
Can be operated from both right and left sides of the forearm grip (no picatinny needed).
- The PTT activates the sight and controls the brightness levels of the reticle (10 levels - 5 for day and 5 for night).
- The PTT allows the shooter to control the sight without disengaging the supporting arm from the weapon.
- The PTT reduces critical reaction time.



**BEST SELLER**



MILL STANDARD | WARRANTY-10 YEARS | NO GUNSMITH REQUIRED

Part #: FFS  
Eligibility: Picatinny  
Made Of: Poly+Steel

Weight (gr): 36  
Width (cm): 4  
Length Closed (cm): 5.4

Height Opened (cm): 4.5  
Height Closed (cm): 1.25

Colors: ■

**#FFS**

**Folding Flip Up Front Sight**

The front sight features an adjustable center post for elevation surrounded by two guide posts to assist in focusing the operator's eye to the target.

- Super low profile sights. Manufactured from polymer and aluminum to reduce weight.
- Ambidextrous spring loaded push button to raise the sights.
- The rugged flip up mechanism ensures getting into battery repeatedly.
- Rigid Picatinny mount, eliminates any wobbling.
- Center Post adjustment locks at quarter turns with a spring locked pin.

**BEST SELLER**



MILL STANDARD | WARRANTY-10 YEARS | NO GUNSMITH REQUIRED

Part #: FRS  
Eligibility: Picatinny  
Made Of: Poly+Steel

Weight (gr): 28  
Width (cm): 4  
Length Closed (cm): 5.4

Height Opened (cm): 4.5  
Height Closed (cm): 1.25

Colors: ■

**#FRS**

**Folding Flip Up Rear Sight**

The rear sight features three operator selectable apertures, including the standard military A2 style double peep aperture with leaf sight aperture, all are adjustable for windage.

- Super low profile sights. Manufactured from polymer to reduce weight.
- Ambidextrous spring loaded push button to raise the sights.
- The rugged flip up mechanism ensures getting into battery repeatedly.
- Rigid Picatinny mount, eliminates any wobbling.
- The large aperture is designed to be used for CQB and low light conditions, while the small aperture for longer range target acquisition.

COMING SOON



ALFA

MILL STANDARD | WARRANTY-10 YEARS | NO GUNSMITH REQUIRED

<b>Part #:</b> AKL <b>Magazine Type:</b> AK <b>Caliber:</b> 7.62X39mm	<b>Overall Length</b> Ext. Stock(mm): 950 <b>Over Length</b> Ext. Stock(mm): 685	<b>Magazine Capacity:</b> 30 <b>Barrel Length (mm):</b> 415	<b>Weight (kg):</b> 3.5 <b>Colors:</b> ■ ■ ■
<b>Part #:</b> AKS <b>Magazine Type:</b> AK <b>Caliber:</b> 7.62X39mm	<b>Overall Length</b> Ext. Stock(mm): 849 <b>Over Length</b> Ext. Stock(mm): 584	<b>Magazine Capacity:</b> 30 <b>Barrel Length (mm):</b> 314	<b>Weight (kg):</b> 3.2 <b>Colors:</b> ■ ■ ■
<b>Part #:</b> AGL <b>Magazine Type:</b> GALIL <b>Caliber:</b> 5.56X45mm	<b>Overall Length</b> Ext. Stock(mm): 950 <b>Over Length</b> Ext. Stock(mm): 685	<b>Magazine Capacity:</b> 30 <b>Barrel Length (mm):</b> 415	<b>Weight (kg):</b> 3.5 <b>Colors:</b> ■ ■ ■
<b>Part #:</b> AGS <b>Magazine Type:</b> GALIL <b>Caliber:</b> 5.56X45mm	<b>Overall Length</b> Ext. Stock(mm): 849 <b>Over Length</b> Ext. Stock(mm): 584	<b>Magazine Capacity:</b> 30 <b>Barrel Length (mm):</b> 314	<b>Weight (kg):</b> 3.2 <b>Colors:</b> ■ ■ ■

**AK ALFA**

The AK Alfa is a revolutionary approach to weapons upgrades. A handpicked team of snipers and engineers from the IDF special forces designed the Alfa rifle to allow the shooter to maximize his shooting abilities, with the most reliable weapon on the planet. Using the "engine" of the AK, and a modern-day "body" is the apex of technology.

- Ambidextrous safety lever - can be operated without releasing hand from pistol grip.
- Left or right charging handle.
- Forward and push down ambidextrous magazine release.
- Interchangeable pistol grip panels, two fit all users. Can be added or subtracted depending on hand size.
- A long 43cm upper picattiny rail. Allows the use of all standard optics, night vision, flashlights, lasers, bipods, etc.
- 3 detachable and replaceable bottom and side picattiny rails (3 sizes).
- Improved trigger – shorter cycle.
- Folding and retractable stock with adjustable cheek rest.
- Cutting-edge compensator which assists reducing recoil and muzzle flash.



# RECOMMENDED MEN KITS



13—  
RECOMMENDED  
KITS



**CAA**

Before



→ BASIC KIT - #ARBAS

No	Item	Description	Page
01	M4S1	Picatinny Hanguard	29
05	COP17	2XMag'+Coupler	54
11	G16	Pistol Grip	65
12	MVG	Forearm Grip	62
02	SBS	Skeleton Butt Stock	38

→ ADVANCED KIT - #ARADV

No	Item	Description	Page
01	M4S1	Picatinny Hanguard	29
03	OPSMP	Sling Swivel	41
05	COP17	2XMag'+Coupler	54
04	UPG16	Pistol Grip	64
10	FVG5B	Forearm Grip	61
07	PLS1	Flashlight Mount	68
13	TC1	Flashlight	67
09	CBSCP	Stock and Adjustable Rest	38

→ PRO KIT - #ARPRO

No	Item	Description	Page
14	X4MS	Picatinny Hanguard	28
03	OPSMP	Sling Swivel	41
05	COP17	2XMag'+Coupler	54
04	UPG16	Pistol Grip	64
06	BPP GRIP	Forearm Grip	60
07	PLS1	Flashlight Mount	68
08	TC3	Flshlight	67
09	CBSCP	Stock and Adjustable Rest	38

Before



→ BASIC KIT - #AKBAS

No	Item	Description	Page
16	RS47-SET	Picatinny Hanguard	22
15	PLS1	Flashlight Mount	68
11	MC47N	Magazine Coupler	53
13	EVG	Ergonomic Forearm Vertical Grip	62
10	G47	Pistol Grip	65

→ ADVANCED KIT - #AKADV

No	Item	Description	Page
17	XRS47-SET	Picatinny Hanguard	21
15	PLS1	Flashlight Mount	68
06	AKMAG	AK Magazine	51
14	FVG5B	Folding Forearm Grip	61
04	UPG47	Pistol Grip	64
02	AK TUBE	Buffer Tube	44
03	CBSCP	Stock and Adjustable Rest	38
05	AKMR	Magazine release extension	53

→ PRO KIT - #AKPRO

No	Item	Description	Page
01	XRS74YG	Picatinny Hanguard	20
08	UFH3	Flashlight Mount	69
09	TC3	Flashlight	67
07	BPP GRIP	Forearm Grip	60
04	UPG47	Pistol Grip	64
12	MCD47N	Magazine Coupler	52
06	AKMAG	2X AK Magazine	51
03	CBSCP	Stock and Adjustable Rest	38
02	AK TUBE	Buffer Tube	44
05	AKMR	Magazine release extension	53



→ BASIC KIT - #VZBAS

No	Item	Description	Page
04	RS58	Picatinny Hanguard	24
06	PLS1	Flashlight Mount	68
09	MVG	Short Forearm Vertical Grip	62
03	G47	Pistol Grip	65

→ ADVANCED KIT - #VZADV

No	Item	Description	Page
04	RS58	Picatinny Hanguard	24
06	PLS1	Flashlight Mount	68
05	FVG5B	Folding Forearm Grip	61
08	UPG47	Pistol Grip	64
01	SA TUBE	SA Buffer Tube	47
02	CBSCP	Stock and Adjustable Rest	38

→ PRO KIT - #VZPRO

No	Item	Description	Page
04	RS58	Picatinny Hanguard	24
06	PLS1	Flashlight Mount	68
07	TC3	Flashlight	67
10	BPP GRIP	Forearm Grip	60
08	UPG47	Pistol Grip	64
01	SA TUBE	SA Buffer Tube	47
02	CBSCP	Stock and Adjustable Rest	38



AKF-HG



AKF-PG



AKF-BS

→ FURNITURE KIT - #AKF-SET

No	Item	Description	Page
01	AKF-HG	Hanguard	23
02	AKF-BS	Butt Stock	42
03	AKF-PG	Pistol Grip	65



→ BASIC KIT - #ROBAS

No	Item	Description	Page
01	RONI	Carbine Conversion	10
02	FFS	Front Flip-Up Sight	88
03	FRS	Rear Flip-Up Sight	88
04	PBSS	Sling Swivel	40
05	OPS	One Point Sling	78
10	ROCASE	Suitcase	14

→ ADVANCED KIT - #ROADV

No	Item	Description	Page
01	RONI	Carbine Conversion	10
02	FFS	Front Flip-Up Sight	88
03	FRS	Rear Flip-Up Sight	88
04	PBSS	Sling Swivel	40
05	OPS	One Point Sling	78
10	ROCASE	Suitcase	14
07	PLS1Q	Light & Laser Mount	68
08	TC1	Flashlight	67
06	RBCF	Brass Catcher	14

→ PRO KIT - #ROPRO

No	Item	Description	Page
01	RONI	Carbine Conversion	10
02	FFS	Front Flip-Up Sight	88
03	FRS	Rear Flip-Up Sight	88
04	PBSS	Sling Swivel	40
05	OPS	One Point Sling	78
06	ROCASE	Suitcase	14
07	PLS1Q	Light & Laser Mount	68
08	TC1	Flashlight	67
06	RBCF	Brass Catcher	14
09	MH1	Hartman Reflex Sight	87

CAMA



GEAR UP





**CAA**

[WWW.CAAGEARUP.COM](http://WWW.CAAGEARUP.COM) 